

Key Designs

SR100 Short Key

Shortened Kaba 8 key for furniture cylinder locks.

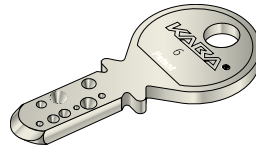
Material/Design

- Nickel silver

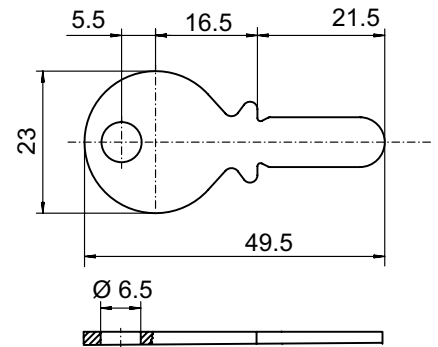
Order code

Product No.

SR100



SR100



SR100 Standard key

Standard key for Kaba 8 and Kaba 20 cylinder systems.

Material/Design

- Nickel silver

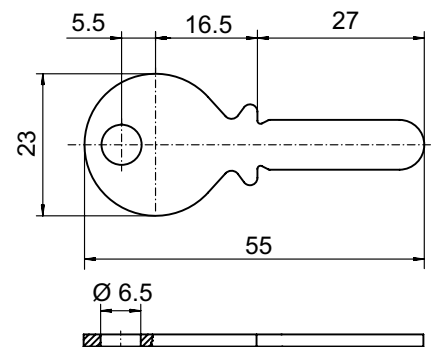
Order code

Product No.

SR100



SR100



Key Forms

SR600 Armour key

Kaba key elongated.
Is necessary when lock armour plate 2015 or similar fittings are used (10mm faceplate).

Material/Design

- Nickel silver

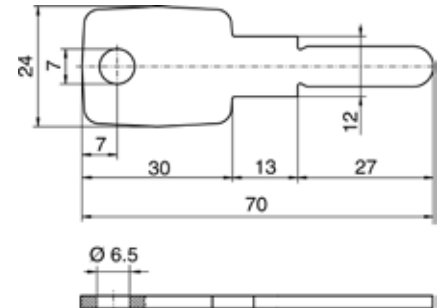
Order code

Product No.

SR600



SR600



Cylinder Locks Swiss (CH) profile 22 mm

Ordering information for Kaba cylinder locks 22 mm profile

Standard Cylinder

Kaba lock cylinders are available in standard lengths as given in the tables below.

Length increments

The following rules apply to the available lengths:

- Standard cylinders are available in the standard lengths 32.5 to 92.5 mm in 5 mm steps.
- Further cylinder lengths are available on request.

- With symmetrical cylinders (1515, 1515H) length A must always be given as the longer side when ordering.
- With Kaba 8 cylinders extensions over 30 mm are only possible in 10 mm steps

Anti-drilling protection

- Information on Anti-Drilling Protection, Anti-Drilling Protection Plus and Antidrill can be found in the section "Cylinder armour /Anti-drilling protection"

Kaba 20, double cylinder

Type 1515, 1515H, 1515K, 1515N, 1515F

A	B													
32.5	32.5													
37.5	32.5	37.5												
42.5	32.5	37.5	42.5											
47.5	32.5	37.5	42.5	47.5										
52.5	32.5	37.5	42.5	47.5	52.5									
57.5	32.5	37.5	42.5	47.5	52.5	57.5								
62.5	32.5	37.5	42.5	47.5	52.5	57.5	62.5							
67.5	32.5	37.5	42.5	47.5	52.5	57.5	62.5	67.5						
72.5	32.5	37.5	42.5	47.5	52.5	57.5	62.5	67.5	72.5					
77.5	32.5	37.5	42.5	47.5	52.5	57.5	62.5	67.5	72.5	77.5				
82.5	32.5	37.5	42.5	47.5	52.5	57.5	62.5	67.5	72.5	77.5	82.5			
87.5	32.5	37.5	42.5	47.5	52.5	57.5	62.5	67.5	72.5	77.5	82.5	87.5		
92.5	32.5	37.5	42.5	47.5	52.5	57.5	62.5	67.5	72.5	77.5	82.5	87.5	92.5	

Table 1

Type 1515U, 1515X, 1515HX, 1515K, 1519, 1519K, 1519H, 1519N, M1515, M1515P, M1515U, M1519, M1519P

A	B													
32.5	32.5	37.5	42.5	47.5	52.5	57.5	62.5	67.5	72.5	77.5	82.5	87.5	92.5	
37.5	32.5	37.5	42.5	47.5	52.5	57.5	62.5	67.5	72.5	77.5	82.5	87.5	92.5	
42.5	32.5	37.5	42.5	47.5	52.5	57.5	62.5	67.5	72.5	77.5	82.5	87.5	92.5	
47.5	32.5	37.5	42.5	47.5	52.5	57.5	62.5	67.5	72.5	77.5	82.5	87.5	92.5	
52.5	32.5	37.5	42.5	47.5	52.5	57.5	62.5	67.5	72.5	77.5	82.5	87.5	92.5	
57.5	32.5	37.5	42.5	47.5	52.5	57.5	62.5	67.5	72.5	77.5	82.5	87.5	92.5	
62.5	32.5	37.5	42.5	47.5	52.5	57.5	62.5	67.5	72.5	77.5	82.5	87.5	92.5	
67.5	32.5	37.5	42.5	47.5	52.5	57.5	62.5	67.5	72.5	77.5	82.5	87.5	92.5	
72.5	32.5	37.5	42.5	47.5	52.5	57.5	62.5	67.5	72.5	77.5	82.5	87.5	92.5	
77.5	32.5	37.5	42.5	47.5	52.5	57.5	62.5	67.5	72.5	77.5	82.5	87.5	92.5	
82.5	32.5	37.5	42.5	47.5	52.5	57.5	62.5	67.5	72.5	77.5	82.5	87.5	92.5	
87.5	32.5	37.5	42.5	47.5	52.5	57.5	62.5	67.5	72.5	77.5	82.5	87.5	92.5	
92.5	32.5	37.5	42.5	47.5	52.5	57.5	62.5	67.5	72.5	77.5	82.5	87.5	92.5	

Table 2

Kaba 8, double cylinder

Type 1515, 1515H, 1515K, 1515N, 1515F

A	B									
32.5	32.5									
37.5	32.5	37.5								
42.5	32.5	37.5	42.5							
47.5	32.5	37.5	42.5	47.5						
52.5	32.5	37.5	42.5		52.5					
57.5	32.5	37.5								
62.5	32.5		42.5		52.5	62.5				
72.5	32.5		42.5		52.5	62.5	67.5	72.5		
82.5	32.5		42.5		52.5	62.5	67.5	72.5	82.5	
92.5	32.5		42.5		52.5	62.5	67.5	72.5	82.5	92.5

Table 3

Type 1515X, 1515HX, 1519, 1519K, 1519H, 1519N

A	B								
32.5	32.5	37.5	42.5	47.5	52.5	62.5	72.5	82.5	92.5
37.5	32.5	37.5	42.5	47.5	52.5				
42.5	32.5	37.5	42.5	47.5	52.5	62.5	72.5	82.5	92.5
47.5	32.5	37.5	42.5	47.5					
52.5	32.5	37.5	42.5		52.5	62.5	72.5	82.5	92.5
57.5	32.5	37.5							
62.5	32.5		42.5		52.5	62.5	72.5	82.5	92.5
72.5	32.5		42.5		52.5	62.5	72.5	82.5	92.5
82.5	32.5		42.5		52.5	62.5	72.5	82.5	92.5
92.5	32.5		42.5		52.5	62.5	72.5	82.5	92.5

Table 4

Kaba 20, half cylinder

1514, 1514K, 1514B, 1514D, 1514F, 1514FA, 1514H, 1514N, M1514, M1514D

A
32.5
37.5
42.5
47.5
52.5
57.5
62.5
67.5
72.5
77.5
82.5
87.5
92.5

Table 5

Kaba 8, half cylinder

1514, 1514K, 1514B, 1514D, 1514F, 1514FA, 1514H, 1514N,

A
32.5
37.5
42.5
47.5
52.5
57.5
62.5
72.5
82.5
92.5

Table 6

Door Cylinder Locks CH-profile 22 mm

M1514 Half cylinder

Modular half cylinder.

For mortice locks, all types of mounted locks, as well as for specifically designed key switches.

Material/Design

- Cylinder housing brass, satin nickel-plated

Delivery contents

- 1 half cylinder, modular
- 1 securing screw M5 x 75 mm, Phillips

Order information/Accessories

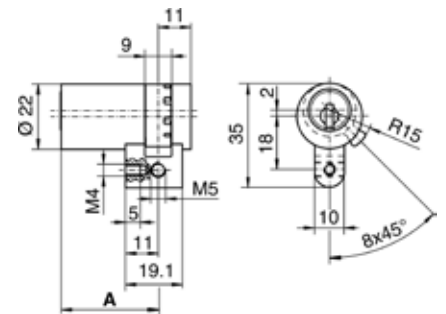
- Available lengths: see tables
"Ordering information for Kaba cylinder locks".
- If the order option "contact pin" is selected, the cylinder can no longer be modified.

Order options

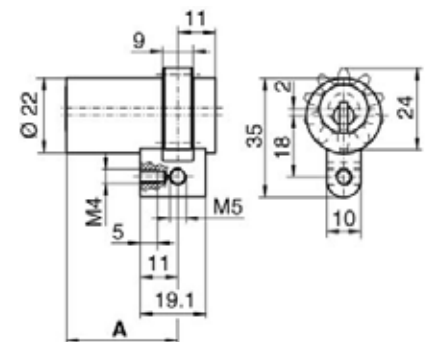
- **Anti-drilling protection**
 - Tamper resistance AW2/EN1303
- **Actuator**
 - Multilock actuators (ML)
 - Biffar 22 mm actuators (BF)
 - Narrow modular actuators (N)
 - 6 pin actuators for ABUS PR1800 (AB)
 - 22 Viro actuators – 18 teeth
 - Actuator rotation 270° (FA)
- **Securing screw**
 - 38, 48, 85, 105, 125, 130 or 140 mm
- **Special**
 - Continuous bore bar 5.3 (front)
 - M4 thread front continuous
 - M5 thread front continuous
- **Contact pin**
 - With contact pin
- **Functions**
 - Free-running mechanism HZ (F)
- **Modularity**
 - Modular (standard)
 - With modification protection



M1514



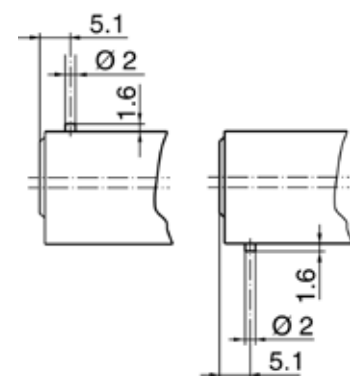
M1514 with option
Multilock actuator



M1514 with ring element in
cylinder colour for Kaba 20

Kaba 8

Kaba 20



Order code

Product No./LengthA

e.g. M1514/32.5

Door Cylinder Locks CH-profile 22 mm

M1514D Half cylinder

Modular half cylinder.
For mortice locks and all types of mounted locks.
With turning knob instead of key.

Material/Design

- Cylinder housing brass, satin nickel-plated

Delivery contents

- 1 half cylinder, modular, with design knob
- 1 securing screw M5 x 75 mm, Phillips

Order information/Accessories

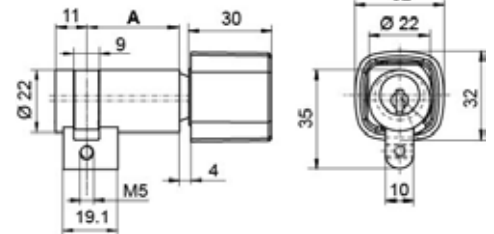
- Available lengths: see tables
"Ordering information for Kaba cylinder locks".

Order options

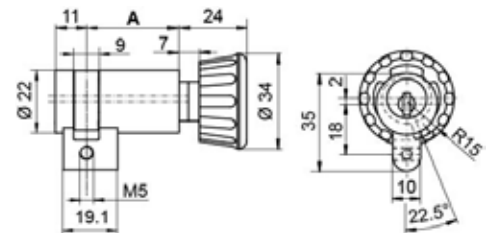
- **Securing screw**
 - 38, 48, 85, 105, 125, 130 or 140 mm
- **Knob**
 - Mega knob 1519-56
 - Traditional knob
 - Design knob, small
- **Modularity**
 - Modular (standard)
 - With modification protection



M1514D with design knob



M1514D with traditional knob



Order code

Product No./LengthA

e.g. M1514D/32.5

Door Cylinder Locks CH-profile 22 mm

M1515 Double cylinder

Modular double cylinder.
For mortice locks and all types of mounted locks.

Material/Design

- Cylinder housing brass, satin nickel-plated

Delivery contents

- 1 double cylinder, modular
- 1 securing screw M5 x 75 mm, Phillips

Order information/Accessories

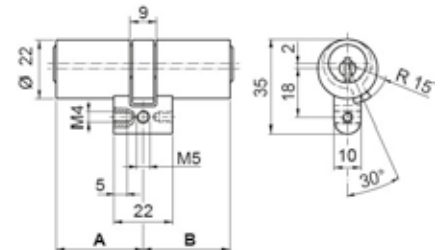
- Available lengths: see tables
- "Ordering information for Kaba cylinder locks".
- If the order option "contact pin" is selected, the cylinder can no longer be modified.

Order options

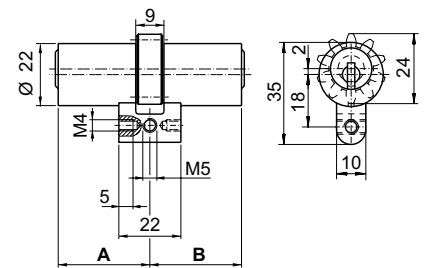
- **Anti-drilling protection**
 - Tamper resistance AW2/EN1303 (one/two-sided)
- **Actuator**
 - Multilock actuators (ML)
 - Biffar 22 mm actuators (BF)
 - Narrow modular actuators (N)
 - 6 pin actuators for ABUS PR1800 (AB)
 - 22 Viro actuators – 18 teeth
- **Securing screw**
 - 38, 48, 85, 105, 125, 130 or 140 mm
- **Contact pin**
 - With contact pin (one/two-sided)
- **Functions**
 - With priority function (X)
 - With free-running mechanism (F)
- **Modularity**
 - Modular (standard)
 - With modification protection



M1515



M1515 with
Multilock actuator



Order code

Product No./LengthA/LengthB

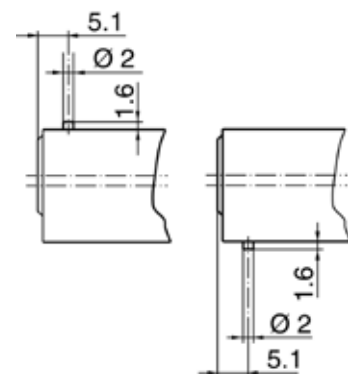
e.g. M1515/32.5/32.5



M1515 with ring element in
cylinder colour for Kaba 20

Kaba 8

Kaba 20



Door Cylinder Locks CH-profile 22 mm

M1515A Double cylinder

Modular double cylinder.
For mortice locks and all types of mounted locks, asymmetrical.

Material/Design

- Cylinder housing brass, satin nickel-plated

Delivery contents

- 1 double cylinder, modular
- 1 securing screw M5 x 75 mm, Phillips

Order information/Accessories

- No emergency key function or other actuators possible
- Not for use with these locks: Brumme BSV 200K, GU Security, BKS 2126
- If the order option "contact pin" is selected, the cylinder can no longer be modified.

Order options

- **Securing screw**
 - 38, 48, 85, 105, 125, 130 or 140 mm
- **Contact pin**
 - With contact pin (one/two-sided)
- **Functions**
 - With priority function (X)
- **Modularity**
 - Modular (standard)
 - With modification protection

Cylinder standard lengths

Side A	Side B		
27.5	37.5	42.5	47.5

No further cylinder extensions possible

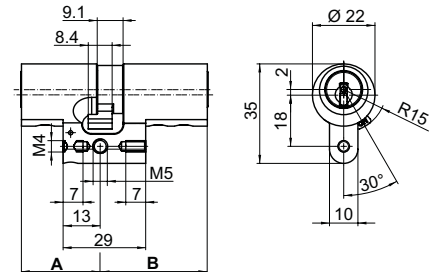
Order code

Product No./LengthA/LengthB

e.g. M1515A/27.5/37.5



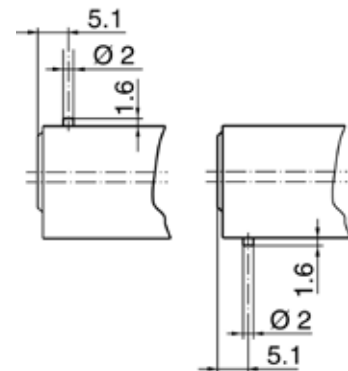
M1515A



M1515 with ring element in cylinder colour for Kaba 20

Kaba 8

Kaba 20



Door Cylinder Locks CH-profile 22 mm

M1519 Thumb turn cylinder

Modular thumb-turn cylinder.
One-sided with knob.
For mortice locks and all types of mounted locks.
Suitable for hotels, hospitals, retirement homes and care homes.

Material/Design

- Cylinder housing brass, satin nickel-plated

Delivery contents

- 1 thumb-turn cylinder, modular
- 1 securing screw M5 x 75 mm, Phillips

Order information/Accessories

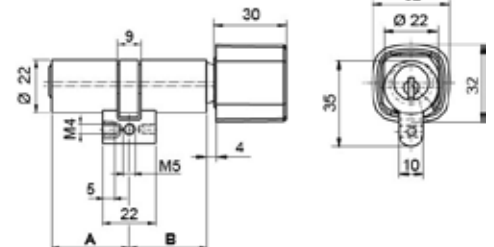
- Available lengths: see tables "Ordering information for Kaba cylinder locks".
- Traditional knob as standard = reorders Kaba 20 + new systems kaba 20
For alternatives see order options

Order options

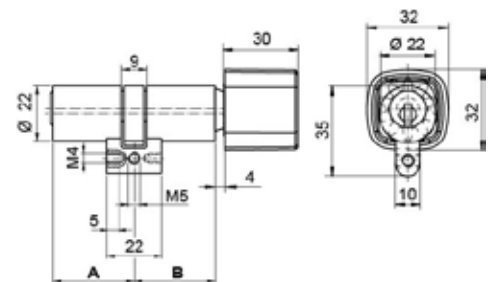
- **Anti-drilling protection**
 - Tamper resistance AW2/EN1303
- **Actuators**
 - Multilock actuators (ML)
 - Biffar 22 mm actuators (BF)
 - Narrow modular actuators (N)
 - 6 pin actuators for ABUS PR1800 (AB)
 - 22 Viro actuators – 18 teeth
- **Securing screw**
 - 38, 48, 85, 105, 125, 130 or 140 mm
- **Knob**
 - With Mega knob 1519-56
 - With traditional knob
 - With design knob
 - With design knob, small
- **Functions**
 - With priority function (X)
- **Modularity**
 - Modular (standard)
 - With modification protection



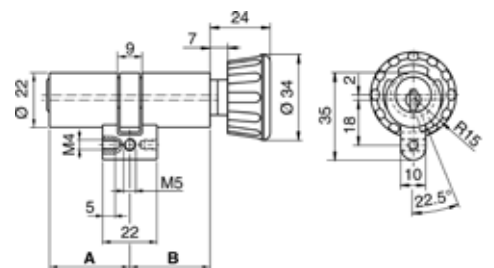
M1519 with design knob



M1519 with Multilock actuator, design knob



M1519 with traditional knob



M1519 with traditional knob + ring element in cylinder colour for Kaba 20

Order code

Product No./LengthA/LengthB

e.g. M1519/32.5/32.5

Door Cylinder Locks CH-profile 22 mm

M1519A Thumb-turn cylinder

Modular thumb-turn/double cylinder.
One-sided with knob.
For mortice locks and all types of mounted locks, asymmetrical.

Material/Design

- Cylinder housing brass, satin nickel-plated

Delivery contents

- 1 thumb-turn cylinder, modular
- 1 securing screw M5 x 75 mm, Phillips

Order information/Accessories

- Design knob as standard = new systems
Traditional knob as standard = reorders
Kaba 20 + new systems kaba 20
For alternatives see order options
- No other actuators possible
- Not for use with these locks: Brumme BSV 2000K, GU Secury

Order options

- **Anti-drilling protection**
 - Tamper resistance AW2/EN1303
- **Securing screw**
 - 38, 48, 85, 105, 125, 130 or 140 mm
- **Knob**
 - With Mega knob 1519-56
 - With traditional knob
 - With design knob
 - With design knob, small
- **Functions**
 - With priority function (X)
- **Modularity**
 - Modular (standard)
 - With modification protection

Cylinder standard lengths

Side A	Side B		
27.5	37.5	42.5	47.5

No further cylinder extensions possible

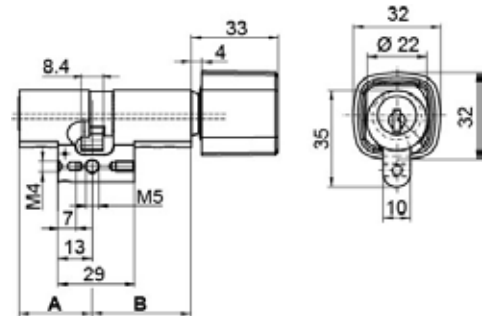
Order code

Product No./LengthA/LengthB

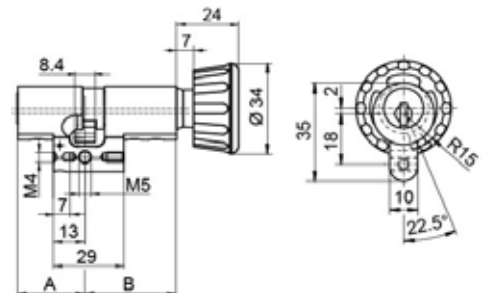
e.g. M1519/32.5/32.5



M1519A with traditional knob



M1519A with traditional knob + ring element in cylinder colour for Kaba 20



M1519 with traditional knob + ring element in cylinder colour for Kaba 20

Cylinder Locks Euro-profile 17 mm

Ordering information for Kaba cylinder locks 17 mm profile

Standard Cylinder Lengths

Kaba lock cylinders are available in standard lengths as given in the tables below.

Length increments

The following rules apply to the available lengths:

- Standard cylinders are available in the standard lengths 32.5 to 92.5 mm in 5 mm steps.
- Further cylinder lengths are available on request.

Kaba 20, Euro-profile, double cylinder

Type M1415, M1419

A	B												
32.5	32.5	37.5	42.5	47.5	52.5	57.5	62.5	67.5	72.5	77.5	82.5	87.5	92.5
37.5	32.5	37.5	42.5	47.5	52.5	57.5	62.5	67.5	72.5	77.5	82.5	87.5	92.5
42.5	32.5	37.5	42.5	47.5	52.5	57.5	62.5	67.5	72.5	77.5	82.5	87.5	92.5
47.5	32.5	37.5	42.5	47.5	52.5	57.5	62.5	67.5	72.5	77.5	82.5	87.5	92.5
52.5	32.5	37.5	42.5	47.5	52.5	57.5	62.5	67.5	72.5	77.5	82.5	87.5	92.5
57.5	32.5	37.5	42.5	47.5	52.5	57.5	62.5	67.5	72.5	77.5	82.5	87.5	92.5
62.5	32.5	37.5	42.5	47.5	52.5	57.5	62.5	67.5	72.5	77.5	82.5	87.5	92.5
67.5	32.5	37.5	42.5	47.5	52.5	57.5	62.5	67.5	72.5	77.5	82.5	87.5	92.5
72.5	32.5	37.5	42.5	47.5	52.5	57.5	62.5	67.5	72.5	77.5	82.5	87.5	92.5
77.5	32.5	37.5	42.5	47.5	52.5	57.5	62.5	67.5	72.5	77.5	82.5	87.5	92.5
82.5	32.5	37.5	42.5	47.5	52.5	57.5	62.5	67.5	72.5	77.5	82.5	87.5	92.5
87.5	32.5	37.5	42.5	47.5	52.5	57.5	62.5	67.5	72.5	77.5	82.5	87.5	92.5
92.5	32.5	37.5	42.5	47.5	52.5	57.5	62.5	67.5	72.5	77.5	82.5	87.5	92.5

Table 7

Kaba 20, Euro-profile, half cylinder

Type M1414

A
32.5
37.5
42.5
47.5
52.5
57.5
62.5
67.5
72.5
77.5
82.5
87.5
92.5

Table 8

Cylinder Locks Euro-profile 17 mm

M1414 Half cylinder

Modular thumb-turn/double cylinder.
For mortice locks and all types of mounted locks with Euro-profile cylinder cut out and for specifically designed key switches.

Material/Design

- Cylinder housing brass, satin nickel-plated

Delivery contents

- 1 half cylinder, modular
- 1 front cover in colour of cylinder
- 1 securing screw M5 x 75 mm, Phillips

Technical information

Cylinder with order option "cylinder bar shortened" should only be used with security plate and armoured rim, to give adequate tamper resistance. For use in unprotected environments only the standard model with fixed front cover plate should be used.

Order information/Accessories

- Available cylinder lengths: see tables "Ordering information for Kaba cylinder locks".

Order options

- **Anti-drilling protection**
 - Tamper resistance AW2/EN1303
- **Actuators**
 - Multilock actuators (ML)
 - Biffar 17 mm actuators
 - Narrow modular actuators (N)
- **Securing screw**
 - 38, 48, 85, 105, 125, 130 or 140 mm
- **Functions**
 - Free-running mechanism HZ (F)
- **Shortened cylinder bar**
 - Cylinder bar shortened 2.5 mm (Front cover always in cylinder colour)
- **Modularity**
 - Modular (standard)
 - With modification protection

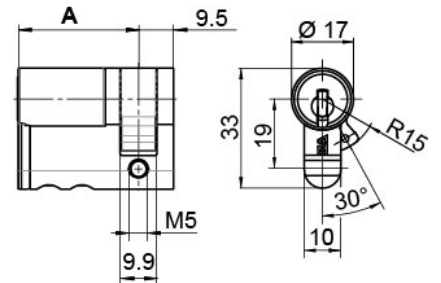
Order code

Product No./LengthA

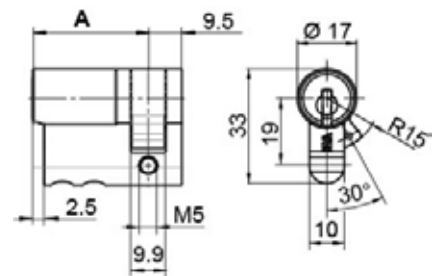
e.g. M1414/32.5



M1414 with front cover in colour of cylinder



M1414 with shortened cylinder bar



Cylinder Locks Euro-profile 17 mm

M1414D Half cylinder

Modular half cylinder.

For mortice locks and all types of mounted locks with Euro-profile cylinder cutout and for specifically designed key switches.

With turning knob instead of key operation.

Material/Design

- Cylinder housing brass, satin nickel-plated

Delivery contents

- 1 half cylinder, modular, with design knob
- 1 securing screw M5 x 75 mm, Phillips

Order information/Accessories

- Available cylinder lengths: see tables
"Ordering information for Kaba cylinder locks".

Order options

- **Actuators**
 - Multilock actuators (ML)
 - Biffar 17 mm actuators
- **Securing screw**
 - 38, 48, 85, 105, 125, 130 or 140 mm
- **Knob**
 - Mega knob 1519-56
 - Traditional knob
 - Design knob, small
- **Modularity**
 - Modular (standard)
 - With modification protection

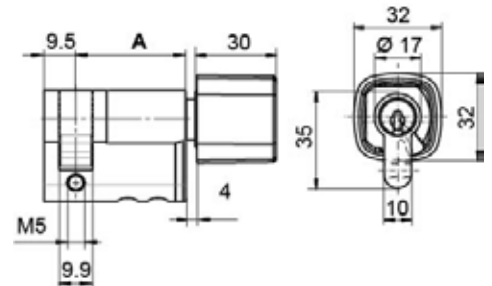
Order code

Product No./LengthA

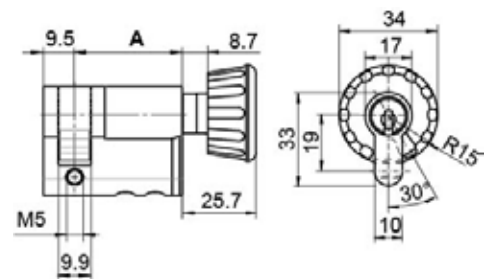
e.g. M1414D/32.5



M1414 D with design knob



M1414D with traditional knob



Cylinder Locks Euro-profile 17 mm

M1415 Double cylinder

Modular thumb-turn/double cylinder.
For mortice locks, all types of mounted locks with Euro-profile cylinder cut out and for specifically designed key switches.

Material/Design

- Cylinder housing brass, satin nickel-plated

Delivery contents

- 1 half cylinder, modular
- 1 front cover in colour of cylinder
- 1 securing screw M5 x 75 mm, Phillips

Technical information

Cylinder with order option "cylinder bar shortened" should only be used with security plate and armoured rim, to give adequate tamper resistance. For use in unprotected environments only the standard model with fixed front cover plate should be used.

Order information/Accessories

- Available cylinder lengths: see tables "Ordering information for Kaba cylinder locks".
- With coloured cylinders the front cover plate is always supplied in the colour of the cylinder.

Order options

- **Anti-drilling protection**
 - Tamper resistance AW2/EN1303 (one/two-sided)
- **Actuators**
 - Multilock actuators (ML)
 - Biffar 17 mm actuators
 - Narrow modular actuators (N)
- **Securing screw**
 - 38, 48, 85, 105, 125, 130 or 140 mm
- **Functions**
 - With priority function (X)
 - With free-running mechanism (F)
- **Shortened cylinder bar**
 - Cylinder bar shortened 2.5 mm (one/two-sided)
 - Front cover always in cylinder colour
- **Modularity**
 - Modular (standard)
 - With modification protection

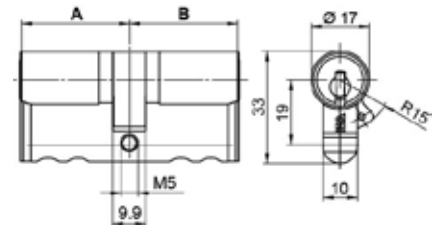
Order code

Product No./LengthA/LengthB

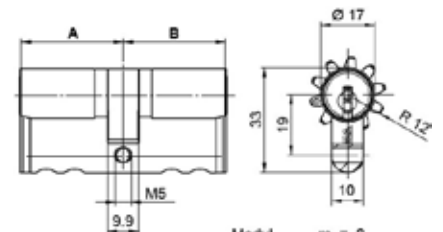
e.g. M1415/32.5/32.5



M1415 with front cover in colour of cylinder



M1415 with order option multilock actuator (ML) + front cover in cylinder cover



Modul m = 2
Zähnezahl z1 = 10

Cylinder Locks Euro-profile 17 mm

M1415A Double cylinder

Modular double cylinder.

For mortice locks and all types of mounted locks with Euro-profile cylinder cutout, asymmetrical.

Material/Design

- Cylinder housing brass, satin nickel-plated

Delivery contents

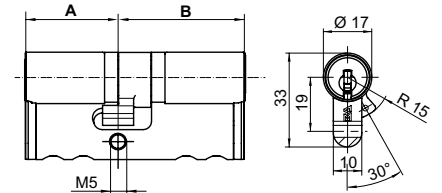
- 1 double cylinder, modular
- 1 front cover in colour of cylinder
- 1 securing screw M5 x 75 mm, Phillips

Technical information

Cylinder with order option "cylinder bar shortened" should only be used with security plate and armoured rim, to give adequate tamper resistance. For use in unprotected environments only the standard model with fixed front cover should be used.



M1415A with front cover in cylinder colour



Order information/Accessories

- With coloured cylinders the front cover plate is always supplied in the colour of the cylinder.

Order options

- **Anti-drilling protection**
 - Tamper resistance AW2/EN1303 (one/two-sided)
- **Securing screw**
 - 38, 48, 85, 105, 125, 130 or 140 mm
- **Functions**
 - With priority function (X)
 - With free-running mechanism (F)
- **Shortened cylinder bar**
 - Cylinder bar shortened 2.5 mm (one/two-sided)
 - Front cover always in cylinder colour

Cylinder standard lengths

Side A	Side B		
27.5	37.5	42.5	47.5

No further cylinder extensions possible

- **Modularity**
 - Modular (standard)
 - With modification protection

Order code

Product No./LengthA/LengthB

e.g. M1415A/32.5/32.5

Door Cylinder Locks Euro-profile 17 mm

M1414 Thumb-turn cylinder

Modular thumb-turn cylinder.
One-sided with design knob.
For mortice locks and all types of mounted locks with Euro-profile cylinder cutout.
Suitable for hotels, hospitals, retirement and care homes.

Material/Design

- Cylinder housing brass, satin nickel-plated

Delivery contents

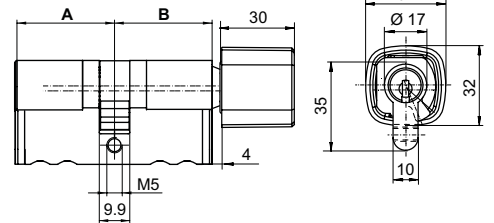
- **Kaba 20**
 - 1 thumb-turn cylinder, modular with traditional knob
 - 1 securing screw M5 x 75 mm, Phillips

Technical information

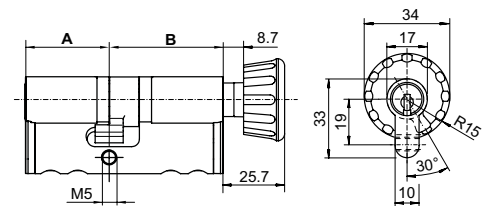
Cylinder with order option "cylinder bar shortened" should only be used with security plate and armoured rim, to give adequate tamper resistance. For use in unprotected environments only the standard model with fixed front cover plate should be used.



M1419 with design knob + front cover in colour of cylinder



M1419 with traditional knob + front cover in colour of cylinder



Order information/Accessories

- Available cylinder lengths: see tables "Ordering information for Kaba cylinder locks".
- With coloured cylinders the front cover plate is always supplied in the colour of the cylinder.

Order options

- **Actuators**
 - Multilock actuators (ML)
 - Biffar 17 mm actuators
 - Narrow modular actuators (N)
- **Securing screw**
 - 38, 48, 85, 105, 125, 130 or 140 mm
- **Knob**
 - With Mega knob 1519-56
 - With traditional knob
 - With design knob
 - With design knob, small
- **Shortened cylinder bar**
 - Cylinder bar shortened 2.5 mm (Front cover always in cylinder colour)
- **Modularity**
 - Modular (standard)
 - With modification protection

Order code

Product No./LengthA/LengthB

e.g. M1419/32.5/32.5

Door Cylinder Locks Euro-profile 17 mm

M1414A Thumb-turn cylinder

Modular thumb-turn cylinder with colour-coding system.

One-sided with design knob.

For mortice locks and all types of mounted locks with Euro-profile cylinder cutout, asymmetrical.

Material/Design

- Cylinder housing brass, satin nickel-plated

Delivery contents

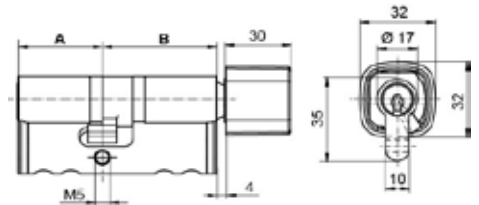
- **Kaba 20**
 - 1 thumb-turn cylinder, modular with traditional knob
 - 1 securing screw M5 x 75 mm, Phillips

Technical information

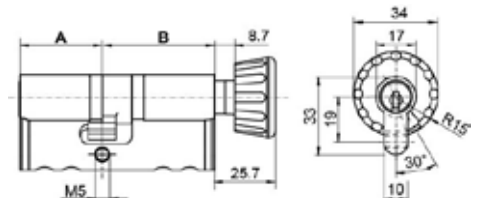
Cylinder with order option "cylinder bar shortened" should only be used with security plate and armoured rim, to give adequate tamper resistance. For use in unprotected environments only the standard model with fixed front cover plate should be used.



M1419A with design knob + front cover in colour of cylinder



M1419A with traditional knob + front cover in colour of cylinder



Order information/Accessories

- With coloured cylinders the front cover plate is always supplied in the colour of the cylinder.

Order options

- **Securing screw**
 - 38, 48, 85, 105, 125, 130 or 140 mm
- **Knob**
 - With Mega 1519-56 knob
 - With traditional knob
 - With design knob
 - With design knob, small
- **Functions**
 - With priority function (X)
- **Shortened cylinder bar**
 - Cylinder bar shortened 2.5 mm (Front cover always in cylinder colour)
- **Modularity**
 - Modular (standard)
 - With modification protection

Cylinder standard lengths

Side A	Side B		
27.5	37.5	42.5	47.5

No further cylinder extensions possible

Order code

Product No./LengthA/LengthB

e.g. M1419A/27.5/37.5

Special Door Cylinder Locks

M1007B External cylinder

Modular external cylinder.
For all types of case lock, excentric.

Material/Design

- Cylinder housing brass, satin nickel-plated
- Tailpiece galvanized steel

Delivery contents

- 1 modular external cylinder
- 1 ring element in colour of cylinder
- 1 tailpiece 2207-3
- 1 mounting kit

Technical information

Suitable for doors 30 – 80 mm (for thinner doors use escutcheon 1007-35).

Order information/Accessories

- **Fastening comprises:**
 - 1 escutcheon 1007-11
 - 1 fixing plate BS-31
 - 2 SK screws M5 x 60 mm, 1007-13

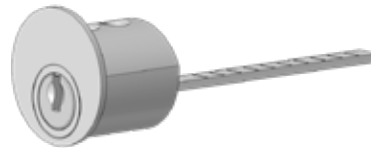
Order options

- **Escutcheons**
 - With 1007-35
 - With 1007B-3
- **Modularity**
 - Modular (standard)
 - With modification protection

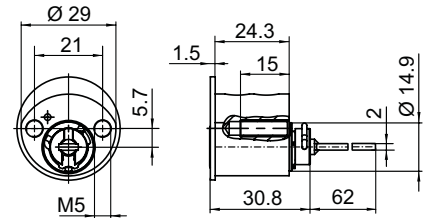
Order code

Product No.

M1007B



M1007B



M1007B with ring element in colour of cylinder for Kaba 20

General Furniture Cylinder Locks

1008C Mounting cylinder

For all types of furniture locks.

Material/Design

- Cylinder housing brass, satin nickel-plated
- 3 threaded holes M2.3 in cylinder stator

Delivery contents

- 1 mounting cylinder
- 1 M1 actuator
- 2 countersunk screws 1008A-19, M2.3 x 6 mm
- 3 fixing screws 1010-22, M2.3 x 5.4 mm

Technical information

The cylinder is only secured with 3 x M2.3 fixing screws and cannot therefore be subjected to any great force.

Cylinder standard lengths

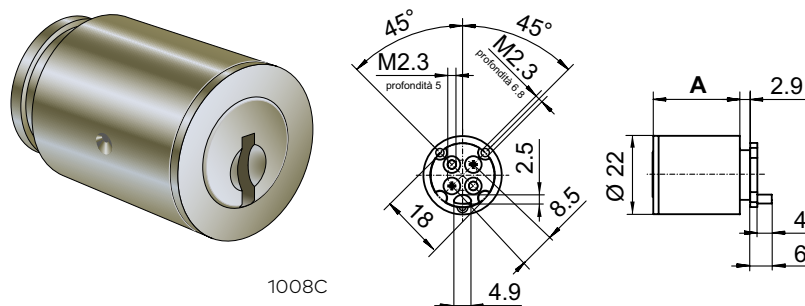
Length A
25
30
35
40
45
50
55
65
75

Further cylinder lengths on request

Order code

Product No./LengthA

e.g. 1008C/25



1008C

1008C/25/4x90, 1008C/25/2x180 Mounting cylinder

For all types of furniture locks.

Models

- 1008C/25/4X90 key withdrawal 4 x 90°
- 1008C/25/2X180 key withdrawal 2 x 180°, without stop

Material/Design

- Cylinder housing brass, satin nickel-plated
- 3 threaded holes M2.3 in cylinder stator

Delivery contents

- 1 mounting cylinder
- 1 M1 actuator
- 2 countersunk screws 1008A-19, M2.3 x 6 mm
- 3 fixing screws 1010-22, M2.3 x 5.4 mm

Technical information

The cylinder is only secured with 3 x M2.3 fixing screws and cannot therefore be subjected to any great force.

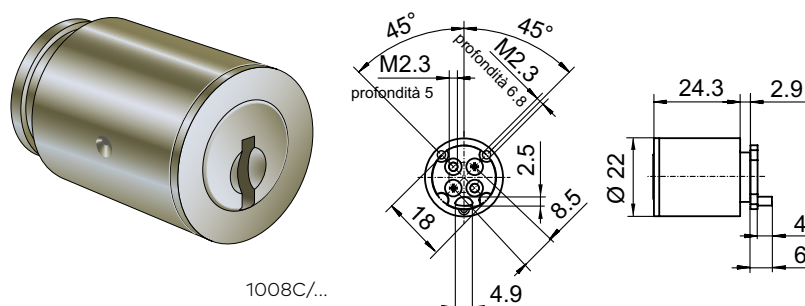
Order information/Accessories

- Only available in Kaba 8 and cannot be integrated into lockers

Order code

Product No./LengthA

e.g. 1008C/25/4X90



1008C/...

General Furniture Cylinder Locks

1032 Cam cylinder lock

For left-hand and right-hand doors and drawers (Illus. DIN door right).

Functions

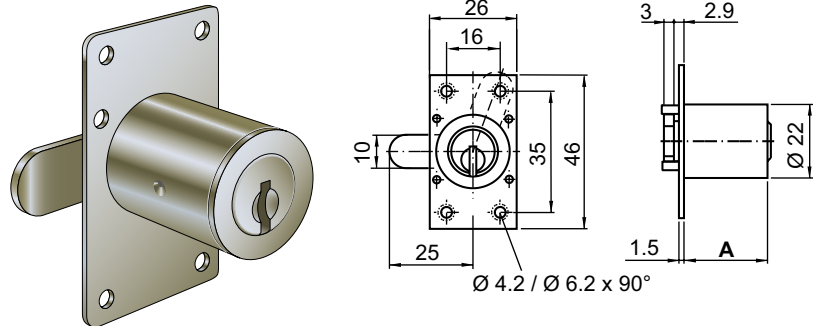
- Key not removable when open

Material/Design

- Cylinder housing brass, satin nickel-plated
- Mounting plate galvanized steel
- Actuator brass, satin nickel-plated

Delivery contents

- 1 mounting cylinder 1008C
- 1 mounting plate BS-13A
- 3 fixing screws 1010-22, M2.3 x 5.4 mm
- 1 M1 actuator
- 2 countersunk screws 1008A-19, M2.3 x 6 mm



1032

Order options

- **Actuator**
 - With M6 (L = 31.5 mm)
 - With M61 (L = 35 mm)
- **Function**
 - R = right
 - L = left
 - S = drawer
 - SU = drawer below

Cylinder standard lengths

Length A
25
30
35
40
45
50
55
65
75

Further cylinder lengths on request

Order code

Product No./Function/LengthA

e.g. 1032/R/25

General Furniture Cylinder Locks

1033 Cam cylinder lock

For left-hand and right-hand doors and drawers (Illus. DIN door right).

Functions

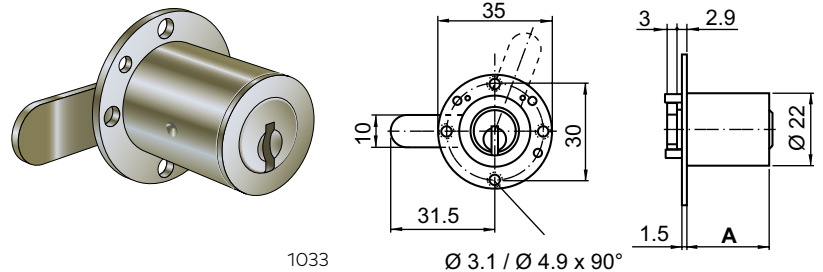
- Key not removable when open

Material/Design

- Cylinder housing brass, satin nickel-plated
- Mounting plate galvanized steel, horizontal
- Actuator brass, satin nickel-plated

Delivery contents

- 1 mounting cylinder 1008C
- 1 mounting plate BS-13A
- 3 fixing screws 1010-22, M2.3 x 5.4 mm
- 1 M6 actuator
- 2 countersunk screws 1008A-19, M2.3 x 6 mm



Order options

- **Actuator**
 - With M5 (L = 25 mm)
 - With M6 (L = 35 mm)
- **Function**
 - R = right
 - L = left
 - S = drawer
 - SU = drawer below

Cylinder standard lengths

Length A
25
30
35
40
45
50
55
65
75

Further cylinder lengths on request

Order code

Product No./Function/LengthA

e.g. 1033/R/25

Furniture Cylinder Locks for Furniture and Apparatus

M1031, M1031A Cam cylinder lock

Modular cam cylinder lock.

For mounting on wood or metal, secured with a nut.

Standard bolt can be converted for doors left or right and for drawers (illus. = right).

Functions

- **M1031**
 - Key turns 90°
 - Key not removable when open
- **M1061**
 - Key turns 360°
 - Key removable when open and locked

Material/Design

- Cylinder housing brass, satin nickel-plated
- Bolt stainless steel

Delivery contents

- 1 cam cylinder modular
- 1 hex nut M23 x 1 mm, 1031-5
- 1 hex nut M10 x 0.75 mm, 1061-7
- 1 actuator disc 1031-22 (for M1031) or
- 1 actuator disc 1061-5 (for M1061)

Technical information

If used externally with an increased risk of break-ins (display cases, etc) the cylinder should be protected by the construction.

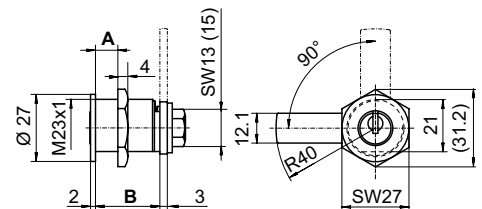
To reinforce the cylinder it may be advisable to use escutcheon 1031-29 and threaded sleeve 1031-16A.

Tightening torque for nut

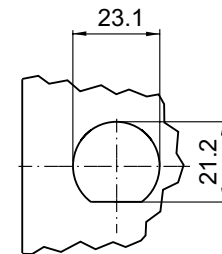
- M10 nut max. 2 Nm
- M23 nut max. 25 Nm



M1031 with ring element in black



M1031 with ring element in cylinder colour for Kaba 20



Cylinder cross-section

Order options

- **Cylinder versions**
 - Model 1061
 - Model 1061G
 - Model 1061 GB
 - Model 1031G
 - Model 1031GB
 - Model 1031RG
 - Model 1031P
- **Special**
 - For SAFOS key deposits/tubes (with enforced return special bolt adapter)
- **Modularity**
 - Modular (standard)
 - With modification protection

Product No.	Dimension A	Dimension B
M1031	19	25.5
M1031A	23	30

Order code

Product No.

e.g. M1031

Furniture Cylinder Locks for Furniture and Apparatus

1031, 1031A Cam cylinder lock

For mounting on wood or metal, secured with a nut.

Standard bolt can be converted for doors left or right and for drawers (illus. = right).

Functions

- Key turns 90°
- Key not removable when open

Material/Design

- Cylinder housing brass, satin nickel-plated
- Bolt stainless steel

Delivery contents

- 1 cam cylinder
- 1 standard bolt 1061-6ZK
- 1 hex nut M23 x 1 mm, 1031-5
- 1 hex nut M10 x 0.75 mm, 1061-7
- 1 actuator washer 1031-22 (for M1031)

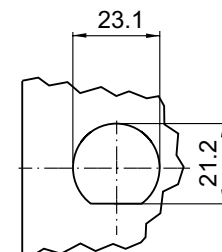
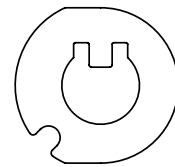
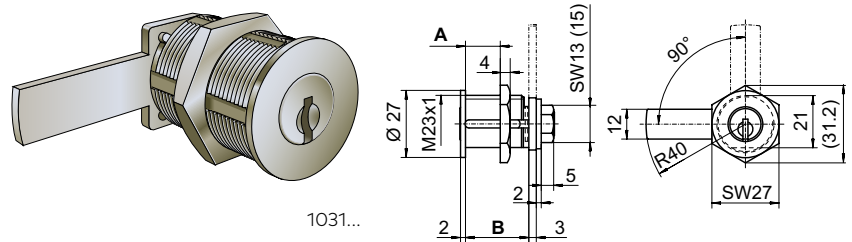
Technical information

If used externally with an increased risk of break-ins (display cases, etc) the cylinder should be protected by the construction.

To reinforce the cylinder it may be advisable to use escutcheon 1031-29 and threaded sleeve 1031-16A.

Tightening torque for nut

- M10 nut max. 2 Nm
- M23 nut max. 25 Nm



Cylinder cross-section

Order information/Accessories

- **Kaba 20 from Oct. 2015**
- Successor: M1031 or M1031A

Order options

- **Special**
- **Bolts (for postboxes by)**
- Model 1031RG = with threaded sleeve 1031-16 (Dimension A = 3 mm), with bolt 1061-65 (Dimension B = 25.5 mm)
- Model 1031P = with threaded sleeve 1031-16 (Dimension A = 3 mm), with bolt 1061-6UT (Dimension B = 20.5 mm)

Product No.	Dimension A	Dimension B
M1031	19	25.5
M1031A	23	30

Order code

Product No.

e.g. 1031

Furniture Cylinder Locks for Furniture and Apparatus

1031G Cam cylinder lock

For glass doors 5 -7 mm thick.
Standard bolt can be converted for doors left or right and for drawers (Illus. = right).

Functions

- Key turns 90°
- Key not removable when open

Material/Design

- Cylinder housing brass, satin nickel-plated
- Bolt stainless steel

Delivery contents

- 1 cam cylinder
- 1 standard bolt 1061-6ZK
- 1 escutcheon 1031-29
- 1 safety washer 1031-23B
- 1 threaded sleeve 1031-16A

Technical information

Tightening torque for nut
- M10 nut max. 2 Nm
- M23 nut max. 25 Nm

Order information/Accessories

- **Kaba 20 from Oct. 2015**
- Successor: M1031 with order option Model 1031G

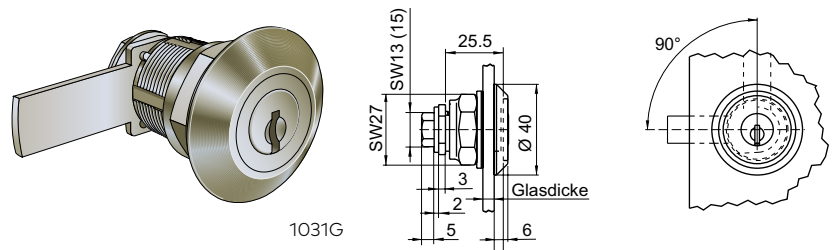
Order options

- **Special (for glass thickness over 7 mm)**
- With nut 1126-1 (hex M23 x 1 mm)

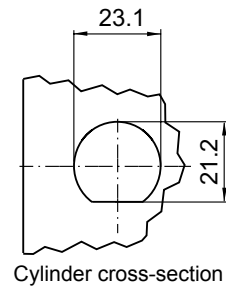
Order code

Product No.

1031G



1031G



Cylinder cross-section

Furniture Cylinder Locks for Furniture and Apparatus

1031GB Cam cylinder lock

For sheet metal doors 0.5 – 2 mm thick,
with securing nut for mounting on metal
Standard bolt can be converted for doors left or
right and for drawers (Illus. = right).

Functions

- Key turns 90°
- Key not removable when open

Material/Design

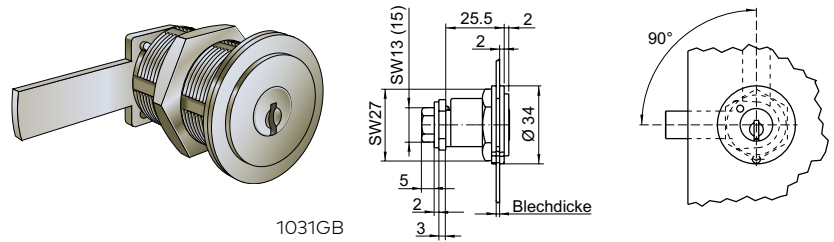
- Cylinder housing brass, satin nickel-plated
- Bolt stainless steel

Delivery contents

- 1 cam cylinder
- 1 standard bolt 1061-6ZK
- 1 hex nut M23 x 1 mm 1031-5
- 1 hex nut M10 x 0.75 mm 1061-7
- 1 actuator washer 1031-22
- 1 safety washer 1031-24A
- 1 safety washer 1031-23A

Technical information

Tightening torque for nut
- M10 nut max. 2 Nm
- M23 nut max. 25 Nm



1031GB

Order information/Accessories

- **Kaba 20 from Oct. 2015**
Successor: M1031 with order option
Model 1031GB

Order code

Product No.

1031GB

Furniture Cylinder Locks for Furniture and Apparatus

1037A/11 push lock cylinder

For sliding metal doors etc.

Functions

- Opening and closing only key-operated

Material/Design

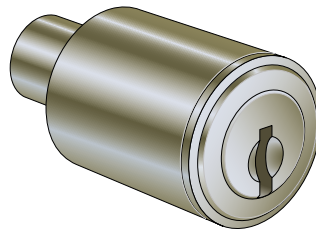
- Cylinder housing brass, satin nickel-plated

Delivery contents

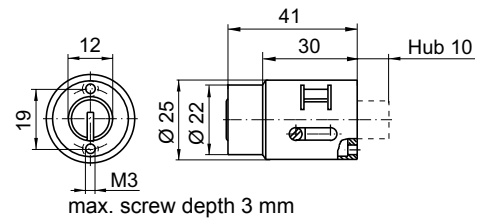
- 1 push lock cylinder

Technical information

Bolt hub 10 mm.



1037A/11



Order information/Accessories

- **Optional accessory:**
 - 1037-19 escutcheon Ø 25 mm
- For order option "key not removable when open" cylinder 1037B/11 is recommended 1031GB

Order options

- **Threaded holes with reworking**
 - M5 x 8 mm
 - M6 x 6.5 mm

Order code

Product No.

1037A/11

Furniture Cylinder Locks for Furniture and Apparatus

1037D/11, 1037D/5/11, 1037F/16 push lock cylinder

For sliding furniture doors, wall panels etc.

Functions

- Opening and closing only key-operated

Models

- 1037D/11 bolt hub 11 mm
- 1037D/S/11 bolt hub 11 mm, rotor extended 5 mm
- 1037F/16 bolt hub 16 mm

Material/Design

- Cylinder housing brass, satin nickel-plated
- Housing zinc die-cast nickel-plated

Delivery contents

- 1 push lock cylinder
- 1 closing sleeve 1037-16, \varnothing 12.6/13.6 mm

Technical information

The construction of the cylinder is not suited for use in exterior environments with an increased risk of break-ins.

Order information/Accessories

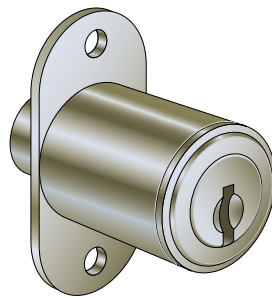
- **Optional accessory:**
 - 1037-19 escutcheon \varnothing 25 mm

Order options

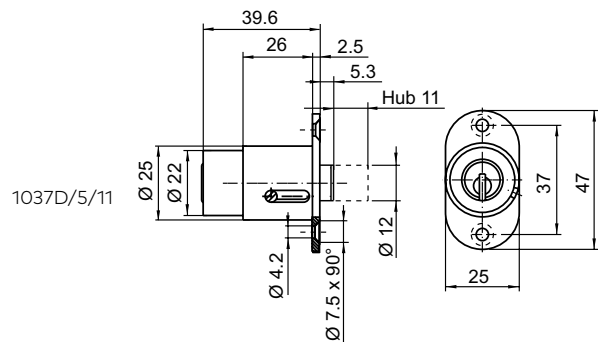
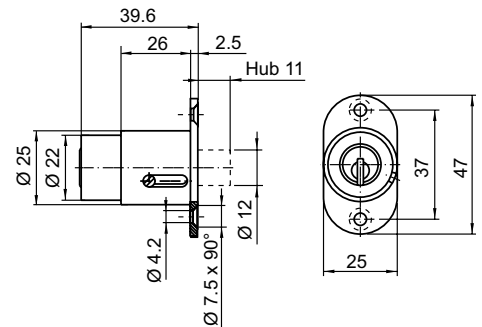
- **Threaded holes with reworking**
 - M5 x 8 mm
 - M6 x 6.5 mm

Order code

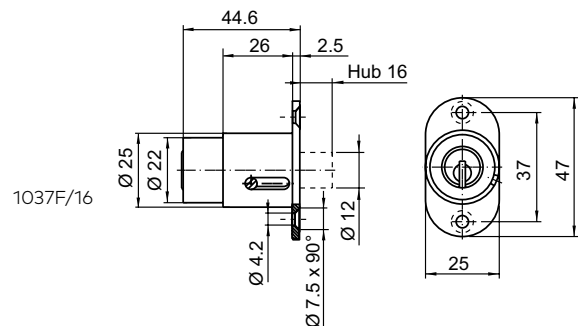
Product No.
e.g. 1037D/11



1037A/11



1037D/5/11



1037F/16

Furniture Cylinder Locks for Furniture and Apparatus

1037G/16 push lock cylinder

For sliding metal doors etc.

Functions

- Opening and closing only key-operated
- Bolt hub 15 mm

Material/Design

- Cylinder housing brass, satin nickel-plated

Delivery contents

- 1 push lock cylinder

Order information/Accessories

- **Optional accessory:**
 - 1037-19 escutcheon Ø 25 mm

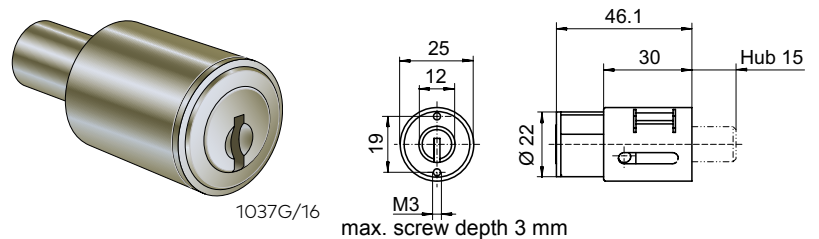
Order options

- **Threaded holes with reworking**
 - M5 x 8 mm
 - M6 x 6.5 mm

Order code

Product No.

1037G/16



1037Z/21 push lock cylinder

For sliding furniture doors, wall panels etc.

Functions

- Opening and closing only key-operated

Material/Design

- Cylinder housing brass, satin nickel-plated

Delivery contents

- 1 push lock cylinder
- 1 closing sleeve 1037-16, Ø 12.6/13.6 mm

Order information/Accessories

- **Optional accessory:**
 - 1037-19 escutcheon Ø 25 mm

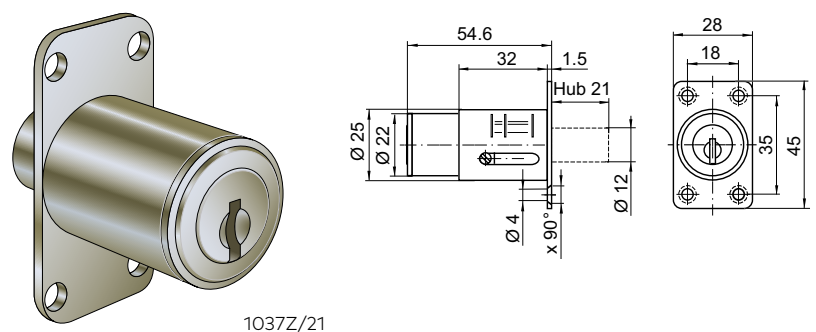
Order options

- **Threaded holes with reworking**
 - M5 x 8 mm
 - M6 x 6.5 mm

Order code

Product No.

1037Z/21



Furniture Cylinder Locks for Furniture and Apparatus

1061, 1061A Cam cylinder lock

For mounting on wood or metal, secured with a nut.

Standard bolt can be converted for doors left or right and for drawers (Illus. = right).

Functions

- Key turns 360°
- Key removable when open or locked

Material/Design

- Cylinder housing brass, satin nickel-plated
- Bolt stainless steel

Delivery contents

- 1 cam cylinder
- 1 standard bolt 1061-6ZK
- 1 actuator washer 1031-22 (for M1031)

Technical information

If used externally with an increased risk of break-ins (display cases, etc) the cylinder should be protected by the construction.

To reinforce the cylinder it may be advisable to use escutcheon 1031-29 and threaded sleeve 1031-16A.

Tightening torque for nut

- M10 nut max. 2 Nm
- M23 nut max. 25 Nm

Order information/Accessories

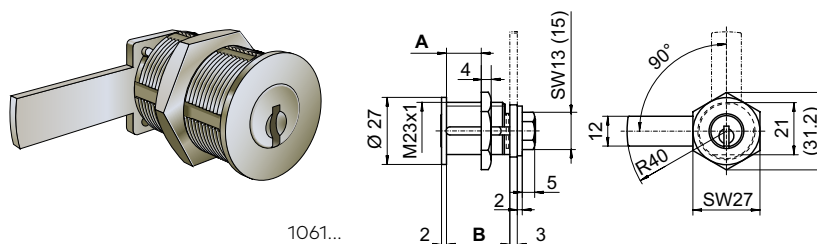
- **Kaba 20 from Oct. 2015**
- Successor: M1031 or M1031A with order option Model 1061 or 1061A

Product No.	Dimension A	Dimension B
1061	19	25.5
1061A	23	30

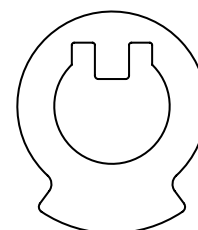
Order code

Product No.

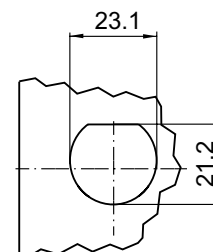
e.g. 1061



1061...



Actuator washer 1061-5



Cylinder cross-section

Furniture Cylinder Locks for Furniture and Apparatus

1061G Cam cylinder lock

For glass doors 5 -7 mm thick.
Standard bolt can be converted for doors left or right and for drawers (Illus. = right).

Functions

- Key turns 360°
- Key removable when open or locked

Material/Design

- Cylinder housing brass, satin nickel-plated
- Bolt stainless steel

Delivery contents

- 1 cam cylinder
- 1 standard bolt 1061-6ZK
- 1 escutcheon 1031-29
- 1 safety washer 1031-23B
- 1 threaded sleeve 1031-16A

Technical information

Tightening torque for nut
- M10 nut max. 2 Nm
- M23 nut max. 25 Nm

Order information/Accessories

- **Kaba 20 from Oct. 2015**
- Successor: M1031 with order option Model 1061G

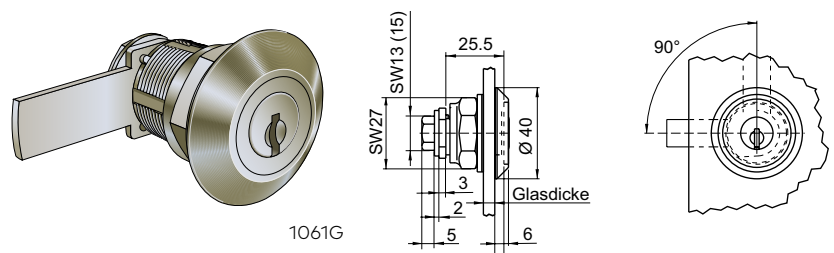
Order options

- **Special (for glass thickness over 7 mm)**
- With nut 1126-1 (hex M23 x 1 mm)

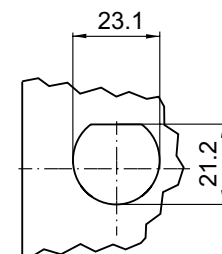
Order code

Product No.

1061G



1061G



Cylinder cross-section

Furniture Cylinder Locks for Furniture and Apparatus

1031GB Cam cylinder lock

For sheet metal doors 0.5 – 2 mm thick, with securing nut for mounting on metal. Standard bolt can be converted for doors left or right and for drawers (Illus. = right).

Functions

- Key turns 360°
- Key removable when open or locked

Material/Design

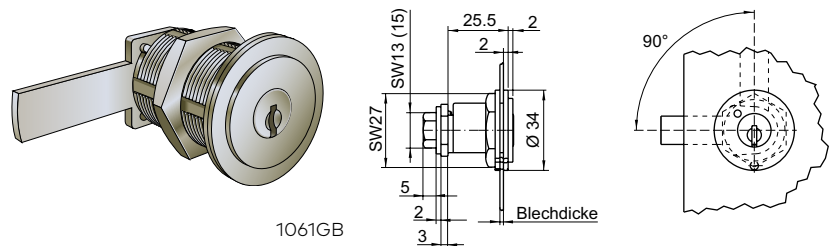
- Cylinder housing brass, satin nickel-plated
- Bolt stainless steel

Delivery contents

- 1 cam cylinder
- 1 standard bolt 1061-6ZK
- 1 hex nut M23 x 1 mm, 1031-5
- 1 hex nut M10 x 0.75 mm, 1061-7
- 1 actuator washer 1061-5
- 1 safety washer 1031-24A
- 1 safety washer 1031-23A

Technical information

Tightening torque for nut
 - M10 nut max. 2 Nm
 - M23 nut max. 25 Nm



Order information/Accessories

- **Kaba 20 from Oct. 2015**
- Successor: M1031 with order option Model Model 1061GB

Order code

Product No.
1061GB

1064 push lock cylinder

For sliding metal doors and central locks.

Functions

- Locking without key, opening with key

Material/Design

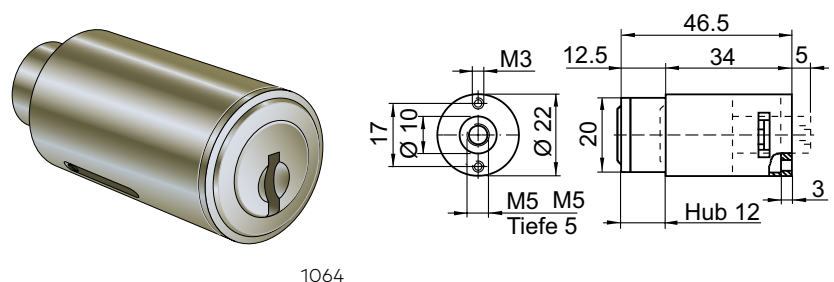
- Cylinder housing brass, satin nickel-plated
- Closing travel 12 mm
- Internal thread M5 for standard screws

Delivery contents

- 1 push lock cylinder

Technical information

The construction of the cylinder is not suited for use in exterior environments with an increased risk of break-ins.



Order code

Product No.
1064

Furniture Cylinder Locks for Office Furniture

1129 Cam cylinder lock

For left-hand and right-hand doors and drawers (Illus. DIN door right).

Functions

- Bolt rotation 90°
- Key rotation 360°

Material/Design

- Cylinder housing brass, satin nickel-plated
- Mounting plate galvanized steel
- Bolt stainless steel
- Locking path A

Delivery contents

- 1 mounting cylinder 1008C
- 1 standard bolt 1129-16
- 1 mounting plate BS-39
- 3 fixing screws 1010-22, M2.3 x 5.4 mm
- 1 spacer washer 1129-4
- 1 actuator 1129-2
- 4 fixing screws 1008A-19, M2.3 x 6 mm

Order options

- **Locking paths**
 - A-H (see diagram)
- **Mounting plates**
 - Horizontal mounting (see diagram)
 - Vertical mounting (see diagram)

Cylinder standard lengths

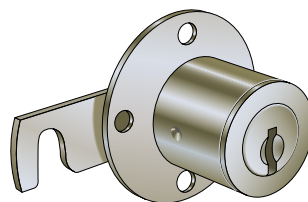
Length A
25
30
35
40
45
50
55
65
75

Further cylinder lengths on request

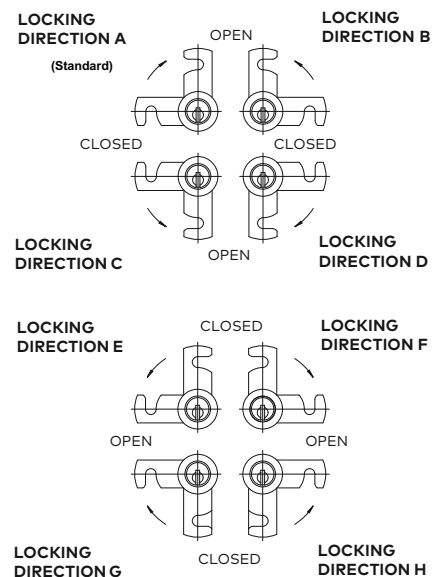
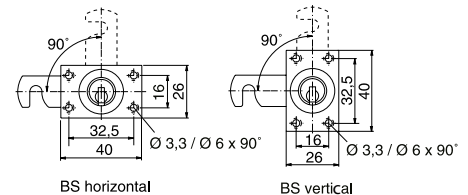
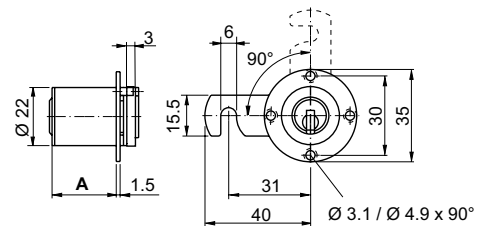
Order code

Product No./LengthA

e.g. 1129/25



1129



Furniture Cylinder Locks for Office Furniture

1136 Cam cylinder lock

For left-hand and right-hand doors
(Illus. = right).

Functions

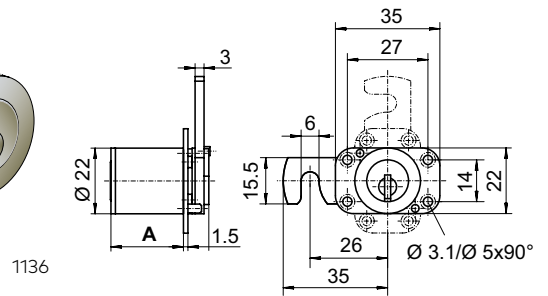
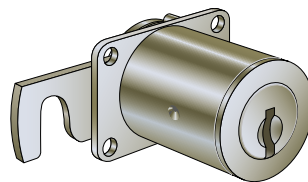
- Bolt rotation 90°
- Key rotation 360°

Material/Design

- Cylinder housing brass, satin nickel-plated
- Bolt stainless steel
- Mounting plate galvanized steel, horizontal
- Locking path A

Delivery contents

- 1 mounting cylinder 1008C
- 1 hook bolt 1129-15
- 1 mounting plate, rectangular BS-44A
- 3 fixing screws 1010-22, M2.3 x 5.4 mm
- 1 spacer washer 1129-4
- 1 actuator 1129-2
- 4 fixing screws 1008A-19, M2.3 x 6 mm



Order options

- **Locking paths**
 - A-H (see diagram)
- **Mounting plates**
 - Vertical mounting

Cylinder standard lengths

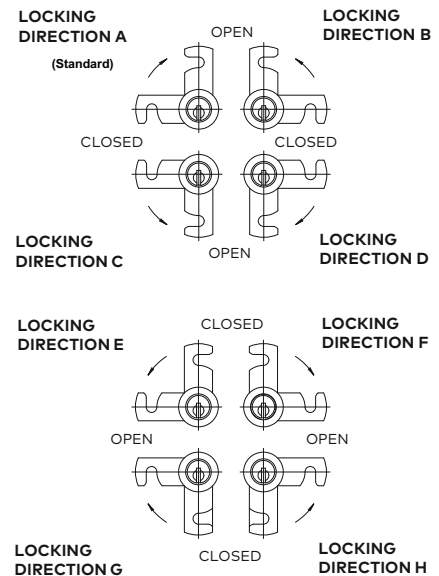
Length A
25
30
35
40
45
50
55
65
75

Further cylinder lengths on request

Order code

Product No./LengthA

e.g. 1136/25



Furniture Cylinder Locks for Office Furniture

2006C, 2006D, 2006F, 2006G ... Central cylinder lock

For office furniture with central locking.

Material/Design

- Cylinder housing brass, satin nickel-plated
- Bolt stainless steel
- Mounting plate zinc die-cast nickel-plated

Delivery contents

- 1 mounting cylinder 1008C
- 1 actuator M93
- 3 fixing screws 1040-4, M2.3 x 6 mm
- 1 cover 2006-2
- 1 lock plate 2006-1
- 4 fixing screws 1040-5, M2.3 x 8 mm
- 2 screws M2.5 x 4 mm

Order information/ Accessories

- **Spacer washer 2006-4 (2 mm thick)**

Order options

- **Special**
 - Key not removable when open

Cylinder standard lengths

Length A	Working length (D)
25	29.5 mm
30	35.2 mm
35	40.2 mm
40	45.2 mm
45	50.2 mm
50	55.2 mm
55	60.2 mm
65	70.2 mm
75	80.2 mm

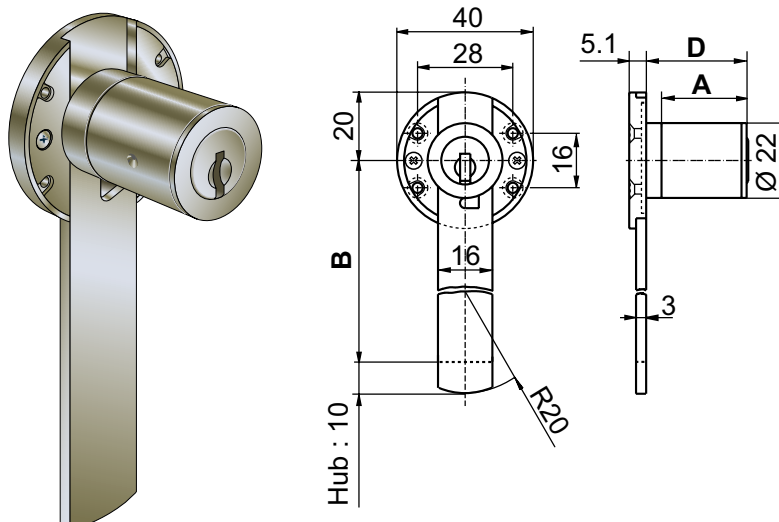
Further cylinder lengths on request

Product No.	Dimension B	Dimension C
2006C	600 mm	-
2006D	700 mm	-
2006F	1000 mm	-
2006G	on demand	-
2006M	on demand	on demand

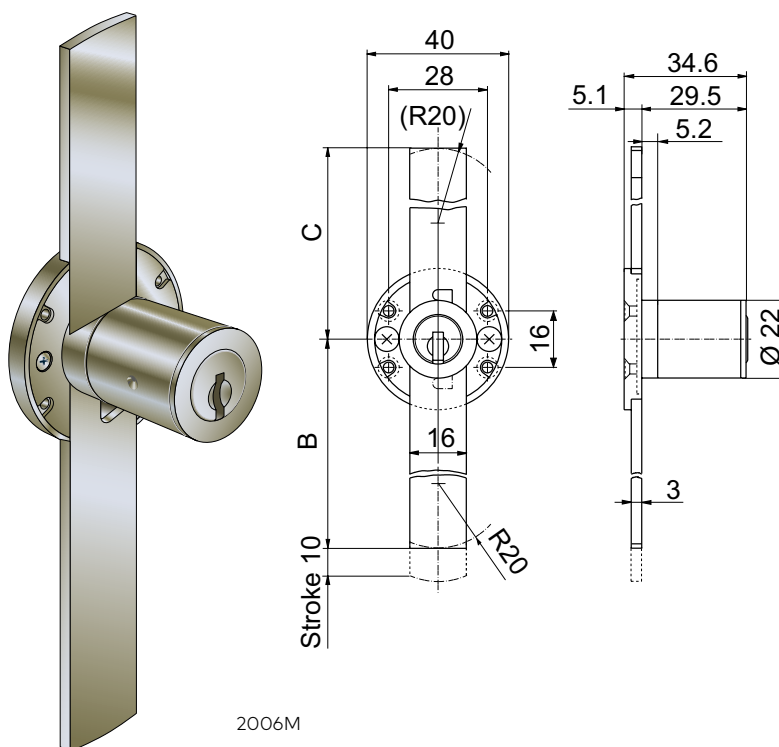
Order code

Product No./LengthA

e.g. 2006C/25



2006C



2006M

Furniture Cylinder Locks for Office Furniture

2006H Central cylinder lock

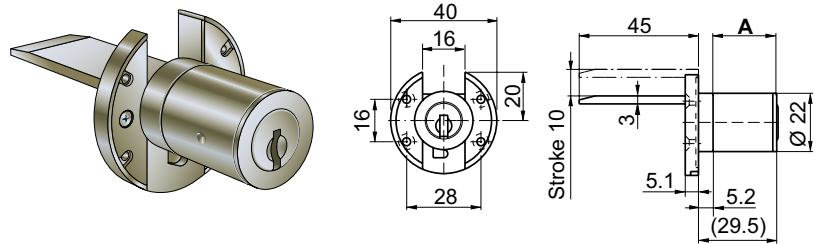
For office furniture with central locking.

Material/Design

- Cylinder housing brass, satin nickel-plated
- Bolt stainless steel
- Mounting plate zinc die-cast nickel-plated

Delivery contents

- 1 mounting cylinder 1008C
- 1 actuator M93
- 2 fixing screws 1040-4, M2.3 x 6 mm
- 3 fixing screws 1040-5, M2.3 x 8 mm
- 1 lock plate 2006H-1
- 2 screws M2.5 x 4 mm
- 1 bolt 2006H-3



2006H

Order information/ Accessories

- Spacer washer 2006-4 (2 mm thick)

Order options

- **Special**
 - Key not removable when open

Cylinder standard lengths

Length A	Working length (D)
25	29.5 mm
30	35.2 mm
35	40.2 mm
40	45.2 mm
45	50.2 mm
50	55.2 mm
55	60.2 mm
65	70.2 mm
75	80.2 mm

Further cylinder lengths on request

Order code

Product No./LengthA

e.g. 2006H/25

Accessories for Office Furniture Cylinder Locks

1061- ... Bolts

Bolts for cylinder locks 1031 and 1061.

Material/Design

- Stainless steel

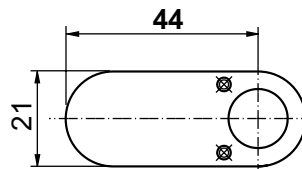
Order information/ Accessories

- Bolts 1061-691A – D can be used with DIN doors left and right
- Screw punching tool Product No. 750291

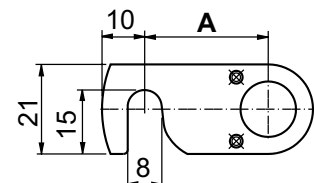
Order code

Product No.

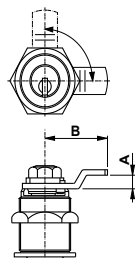
e.g. 2006H/25



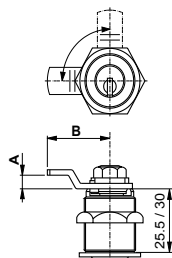
1061 - 601



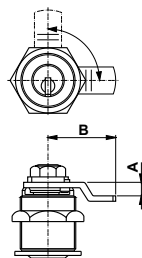
1061 - 601 A, B, C, D



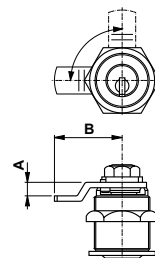
for doors DIN
left (see table 1)



for doors DIN
right (see table 2)



for doors DIN
left (see table 2)



for doors DIN
right (see table 1)

Table 1					
Bolt No.	Dimensions		Bolt No.	Dimensions	
	A	B		A	B
1061-65	0	18.5	1061-6H	7	37
1061-68	0	20	1061-6H4	7	40
1061-62	0	23	1061-6H3	7	50
1061-70	0	25	1061-6V1	8	28
1061-6M	0	30	1061-6V	8	37
1061-63	0	33	1061-6V3	8	40
1061-6ZK	0	40	1061-6V2	8	50
1061-6M1	0	50	1061-6W1	10	28
1061-69	0	65	1061-6W	10	35
1061-67	0	67	1061-6W3	10	40
1061-6Q1	1	28	1061-6W4	10	42
1061-6Q	1	40	1061-6W2	10	50
1061-6Q2	1	50	1061-6X5	12	23
1061-6Z1	2	28	1061-6X4	12	25
1061-6Z	2	40	1061-6X1	12	28
1061-6Z2	2	50	1061-6X	12	33
1061-6G	2.5	39.5	1061-6X3	12	40
1061-6S1	3	28	1061-6X2	12	50
1061-6S3	3	35	1061-6X6	12	60
1061-6S	3	39.5	1061-6Y1	14	23
1061-6S4	3	50	1061-6Y2	14	28
1061-6T1	4	28	1061-6Y	14	31.5
1061-6T	4	39	1061-6Y4	14	40
1061-6T2	4	50	1061-6Y3	14	50
1061-6U1	5	28	1061-6A2	16	30
1061-6U	5	38.5	1061-6A1	16	40
1061-6U3	5	40	1061-6A	16	50
1061-6U2	5	50	1061-6B2	18	30
1061-6E1	6	28	1061-6B1	18	40
1061-6E	6	38	1061-6B	18	50
1061-6E3	6	40	1061-6C3	20	23
1061-6E2	6	50	1061-6C2	20	30
1061-6H5	7	25	1061-6C1	20	40
1061-6H2	7	28	1061-6C	20	50

Table 2					
Bolt No.	Dimensions		Bolt No.	Dimensions	
	A	B		A	B
1061-65	0	18.5	1061-96H2	7	28
1061-68	0	20	1061-96H	7	37
1061-62	0	23	1061-96H4	7	40
1061-70	0	25	1061-96H3	7	50
1061-6M	0	30	1061-96V1	8	28
1061-63	0	33	1061-96V	8	37
1061-6ZK	0	40	1061-96V3	8	40
1061-6M1	0	50	1061-96V2	8	50
1061-69	0	65	1061-96W1	10	28
1061-67	0	67	1061-96W	10	35
1061-6Q1	1	28	1061-96W3	10	40
1061-96Q	1	40	1061-96W4	10	42
1061-96Q2	1	50	1061-96W2	10	50
1061-96Z1	2	28	1061-96X4	12	25
1061-96Z	2	40	1061-96X1	12	28
1061-96Z2	2	50	1061-96X	12	33
1061-96G	2.5	39.5	1061-96X3	12	40
1061-96S1	3	28	1061-96X2	12	50
1061-96S3	3	35	1061-96Y1	14	23
1061-96S	3	39.5	1061-96Y2	14	28
1061-96S4	3	50	1061-96Y	14	31.5
1061-96T1	4	28	1061-96Y4	14	40
1061-96T	4	39	1061-96Y3	14	50
1061-96T2	4	50	1061-96A2	16	30
1061-96U1	5	28	1061-96A1	16	40
1061-96U	5	38.5	1061-96A	16	50
1061-96U3	5	40	1061-96B2	18	30
1061-96U2	5	50	1061-96B1	18	40
1061-96E1	6	28	1061-96B	18	50
1061-96E	6	38	1061-96C2	20	30
1061-96E3	6	40	1061-96C1	20	40
1061-96E2	6	50	1061-96C	20	50
1061-96H5	7	25			

Hook bolt	
Bolt No.	Dimensions
1061-601A	18
1061-601B	22
1061-601C	27
1061-601D	32

Accessories for Office Furniture Cylinder Locks

1129-6, 1129-7, 1129-8, 1129-9 ... Bolts

Bolts for cylinder locks 1129 and 1136.

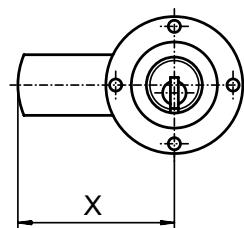
Functions

- Bolts for locking paths A – H

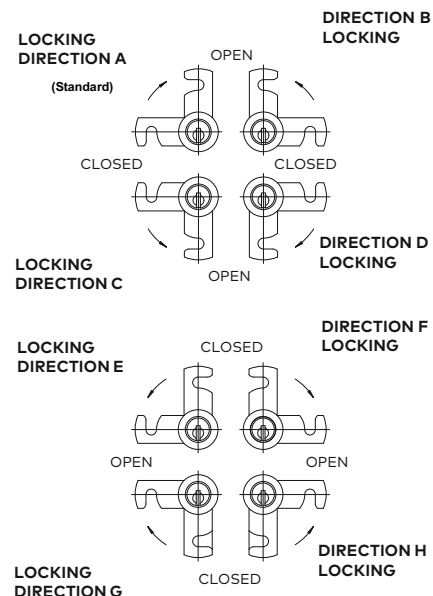
Material/Design

- Stainless steel

Product No.	Dimension X
1129-6	20 mm
1129-7	25 mm
1129-8	30 mm
1129-9	35 mm
1129-10	40 mm
1129-11	45 mm
1129-12	50 mm



1129-6...12



Order code

Product No.

e.g. 1129-6

1129-13, 1129-14, 1129-14A, 1129-15 ... Hook Bolts

Hook bolts for cylinder locks 1129 and 1136.

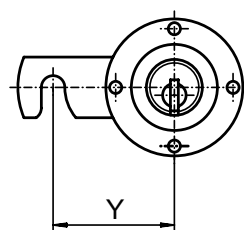
Functions

- Hook bolts for locking paths A, D, F, G

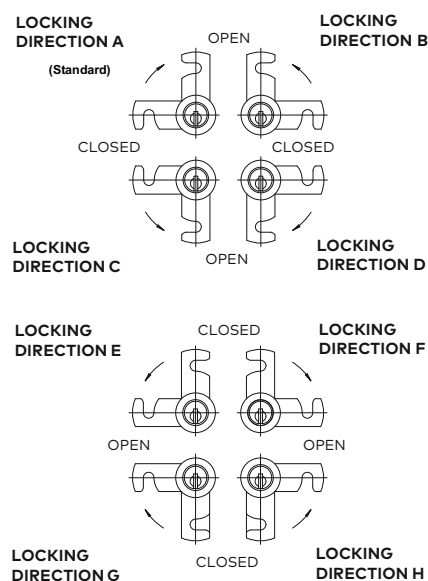
Material/Design

- Stainless steel

Product No.	Dimension Y
1129-13	17 mm
1129-14	21 mm
1129-14A	23.5 mm
1129-15	31 mm
1129-16	40 mm



1129-13...16



Order code

Product No.

e.g. 1129-13

Accessories for Office Furniture Cylinder Locks

1129-13, 1129-14, 1129-14A, 1129-15 ... Hook Bolts

Hook bolts for cylinder locks 1129 and 1136.

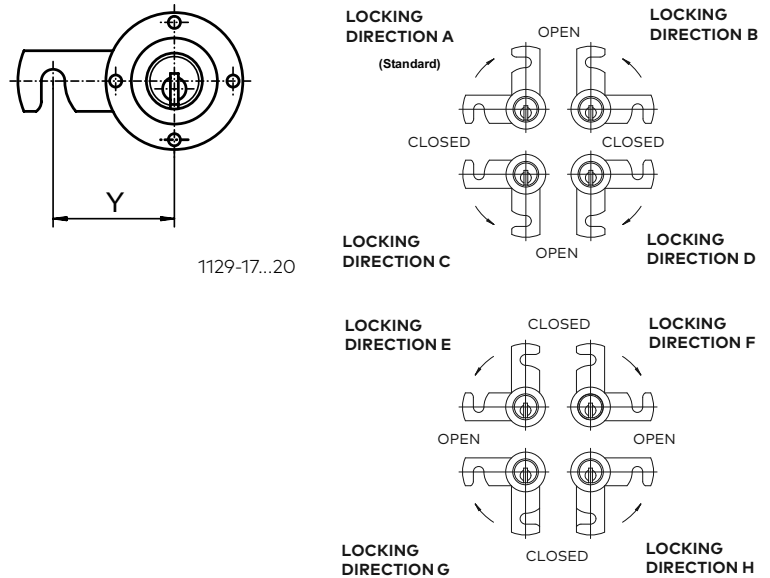
Functions

- Hook bolts for locking paths B, C, E, H

Material/Design

- Stainless steel

Product No.	Dimension Y
1129-17	17 mm
1129-18	21 mm
1129-18A	23.5 mm
1129-19	26 mm
1129-20	31 mm



Order code

Product No.

e.g. 1129-17

BS-1, BS-4, BS-5, BS-5A ... Mounting Plate

Mounting plate for office furniture cylinder locks.

Variants

- BS-1 for cylinder lock II, IIA, IIB, III, IIIA
- BS-4 for cylinder lock 1007
- BS5 for cylinder locks 1008C and 1008D
- BS5A for cylinder locks 1008C and 1033
- BS10 for cylinder locks 1008C and 1008D
- BS13 for cylinder locks 1008C and 1008D
- BS13A for cylinder locks 1008C, 1008D and 1032
- BS20 for cylinder locks 1008C, 1008D, XIII, XIII A, XIII B, XVI, XVII A
- BS21 for cylinder locks XII, XIII A and XIIS

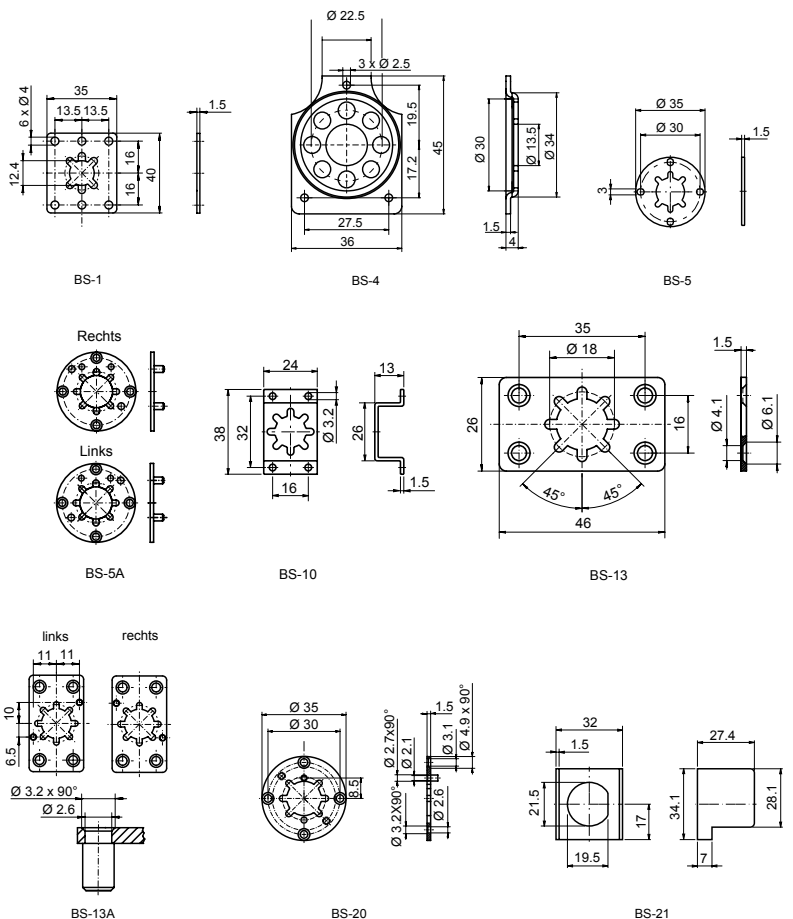
Material/Design

- Galvanized steel

Order code

Product No.

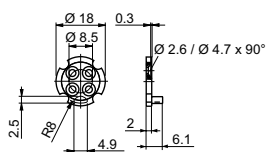
e.g. BS-1



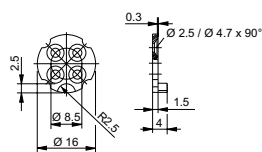
Accessories for Office Furniture Cylinder Locks

M1, M2, M4, M5 ... Actuator

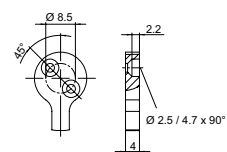
	1008C	1008B	1008BD	1008D	1012	1032	1033	1074	1075	1077	1507	2074	2422
M1		optional	optional	optional	x			x	x				
M2	optional		optional	optional						x			
M4	x	x	x	x									
M5	optional	optional	optional	optional		x	optional						
M6	x	x	x	x		x	x						
M11	x	x	x	x									
M11B	optional	optional	optional	optional								x	
M24	x	x	x	x							x		
M43L	x	x	x	x									
M44	optional	optional	optional	optional									x
M45	x	x	x	x									
M46	x	x	x	x									
M74	x	x	x	x									
M75	x	x	x	x									



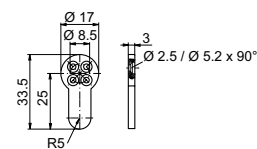
M1



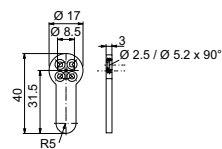
M2



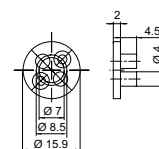
M4



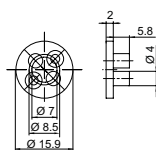
M5



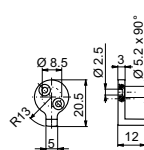
M6



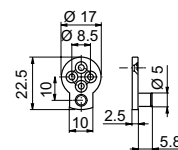
M11



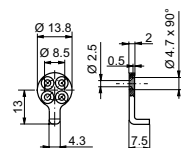
M11B



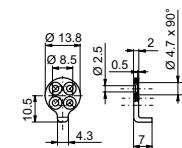
M24



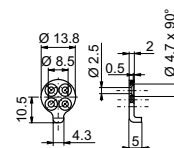
M43L



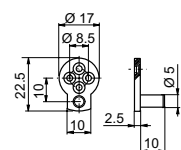
M44



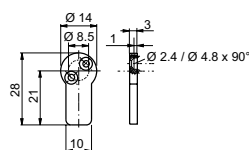
M45



M46



M74



M75

Order code
Product No.
e.g. M1

Cylinder Lock Handles

Cylinder lock handles

Important Order Information

To enable lock handle orders to be processed without queries, the order information below must be given in the following order:

- Handle type
- Function L/R: left or right
- Spindle length

Ordering Example:

3401/R/45

Note

The lock handles are also available with the option "key not removable when open".

DIN Door hinging

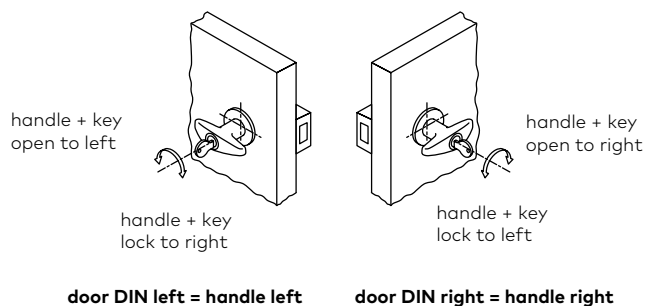
For doors hinged to the right, a right-hand handle is needed, for doors hinged left, a left-hand handle (see diagrams).

Spindle length

The spindle length is measured from the escutcheon. In the absence of any other information the handle will be supplied with a standard-length spindle

Special colours

We only supply the handle colours listed in the catalogue. For availability and delivery of special colour requests please talk with your account manager.



Cylinder Lock Handles

3401 Cylinder lock handle

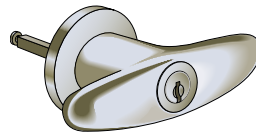
Cylinder lock handles for cupboard doors.
Doors hinged DIN right or left.

Material/Design

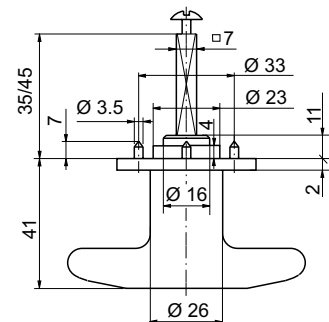
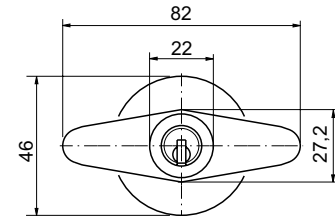
- Handle zinc die-cast sandblasted satin nickel-plated
- Cylinder housing brass satin nickel-plated
- Spindle length 35 mm

Delivery contents

- 1 mounting cylinder 1008C/25
- 1 escutcheon 3401-2
- 1 actuator M71



3401



Order information/Accessories

- Quote spindle length with order
- Further escutcheon variants see product 3488

Order options

- **Special**
 - Key not removable when open
- **Door hinged**
 - R: right
 - L: left
- **Spindle length (from escutcheon)**
 - 35 mm
 - 45 mm
- **Finish**
 - Sandblasted satin nickel-plated (standard)
 - Brushed nickel-plated

Order code

Product No./LengthA

e.g. 2006H/25

Accessories for Cylinder Lock Handles

3087 Combi-Escutcheon

Combi-escutcheon for cylinder lock handles.
Also suitable for FERMA and STELOC-combi
espagnolette locks.
Can be used instead of standard escutcheon 3417-2.
For doors 16 – 22 mm.

Material/Design

- Sandblasted nickel-plated

Technical information

Visible with the following handles:

3401, 3403, 3405 and 3411

Invisible with the following handles:

3413, 3413.2, 3417, 3481 and 3483

Order information/Accessories

- Quote spindle length with order
- Further escutcheon variants see product 3488

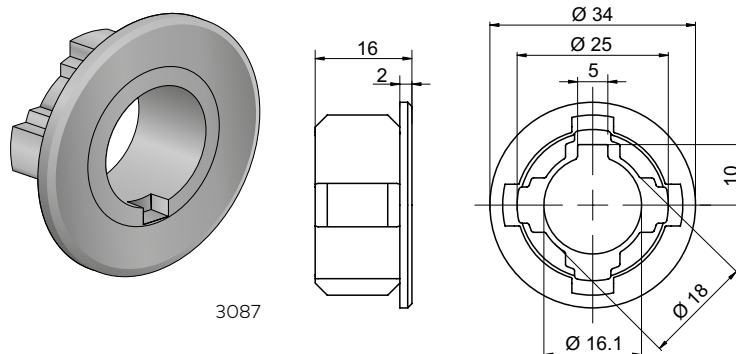
Order options

- Can be ordered together with lock handle,
e.g. 3401/3087/R/35

Order code

Product No.

3087



3087

3405-17 Escutcheon

Escutcheon suitable for cylinder lock handle 3405.
For use on metal and wood.

Material/Design

- Sandblasted nickel-plated

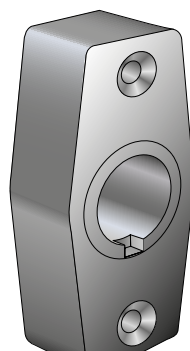
Order information/Accessories

- Can only be ordered with lock handle 3405,
e.g. 3405/R/35/with escutcheon 3405-17

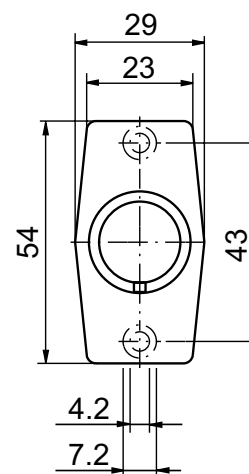
Order code

**Product No./Locking direction/Spindle length/
Escutcheon**

e.g. 3405/R/35/with escutcheon 3405-17



3405-17



Accessories for Cylinder Lock Handles

3465 Spindle lock

Can be used with left-hand and right-hand doors.
This can be fitted to various lock handles, especially 3401 + 3413, others on request.

Functions

- Rotation 90°

Material/Design

- Steel plate

Technical information

Not recommended for lock handles 3417 and 3483

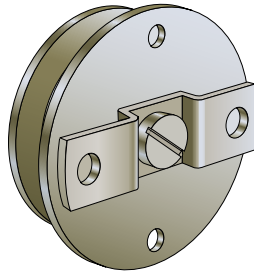
Order information/Accessories

- Can only be ordered with lock handle
- Separate spindle locks must be ordered direct
Please talk to your account manager

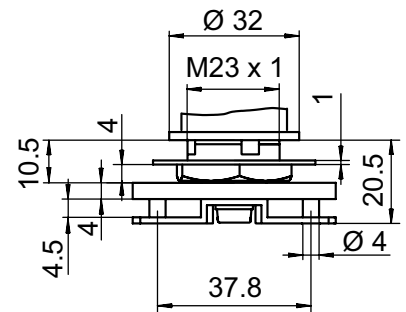
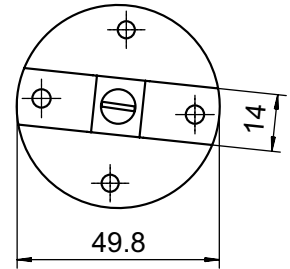
Order code

**ProductNo./Locking direction/Spindle length/
Escutcheon**

e.g. 3401/R/35/3465



3465



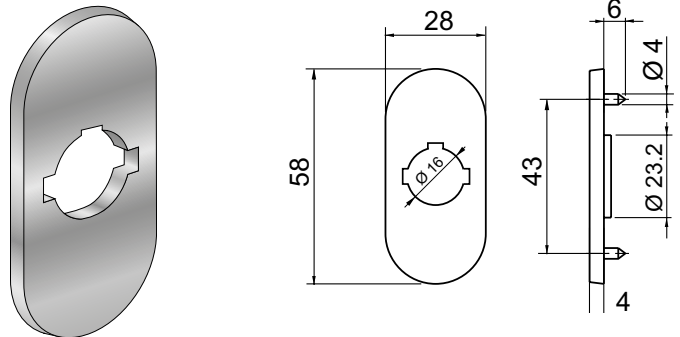
Accessories for Cylinder Lock Handles

3488, 3488/10-2, 3488/10-4, 3488/10-6 Escutcheon

For cylinder lock handles 3401 and 3411.

Variants

- 3488 4 mm thick, fixing with clamp washers pressed onto both lobes of the escutcheon
- 3488/10-2 10 mm thick, fixed from behind, 2 M4 threaded holes (M5 threaded holes for additional charge)
- 3488/10-4 10 mm thick, fixed from front, 2 screw holes \varnothing 4.3 mm for M4 oval-headed countersunk screws (2 screw holes \varnothing 5.3 mm for additional charge)
- 3488/10-6 10 mm thick, fixing with clamp washers pressed onto both lobes of the escutcheon



3488

Material/Design

- Sandblasted nickel-plated

Order information/Accessories

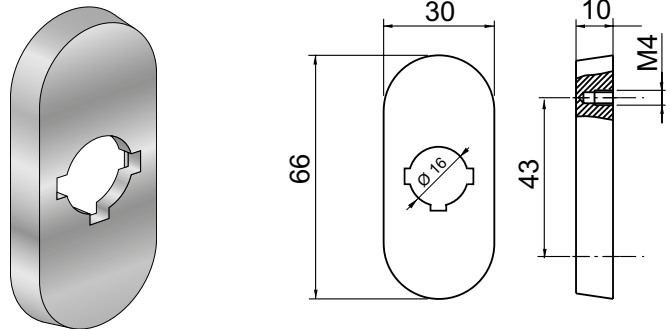
- Quote spindle length with order
- Further escutcheon variants see product 3488

Order options

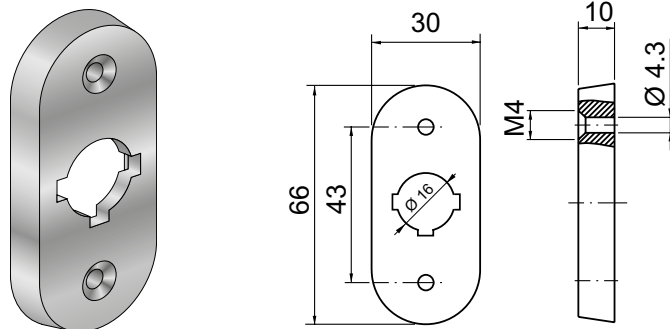
- Can be ordered together with lock handle, e.g. 3401/R/35 with 3488

Order code

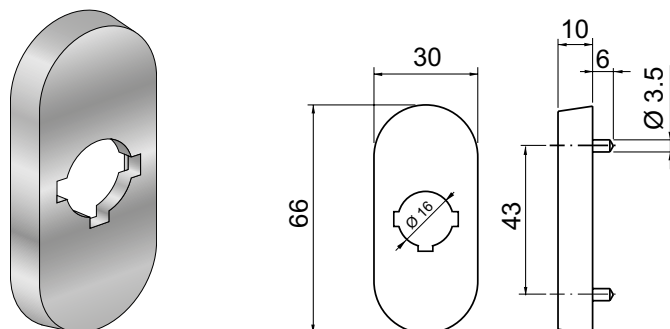
ProductNo.
e.g. 3488



3488/10-2



3488/10-4



3488/10-6

Switch cylinder locks

1007F Switch cylinder lock

For use e.g. with switches.

Variants

Cylinder housing brass, satin nickel-plated
Tailpiece galvanized steel

Delivery contents

- 1 switch cylinder
- 1 tailpiece 1007-56

Order information/Accessories

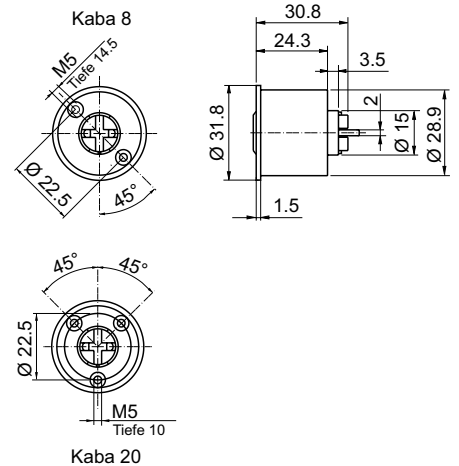
- **Kaba 20 from Oct. 2015**
- Successor: M1007F
- Different tailpieces see "Accessories for switch cylinders"

Order options

- **Tailpieces**
 - 1007-39
 - 1016F-4
 - 1007-39A
 - 10165-5
 - 1007-40
- Others on request



1007F



Length A	Key withdrawal
1007F	1 x 360°

Further cylinder lengths on request

Order code
ProductNo.
1007F

1063, 1063A Push Lock cylinder

For emergency switches.

Functions

- Lock without key, open with key

Variants

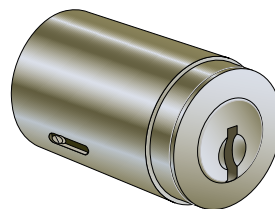
Lock without key, open with key

Material/Design

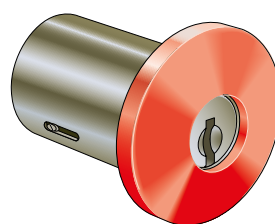
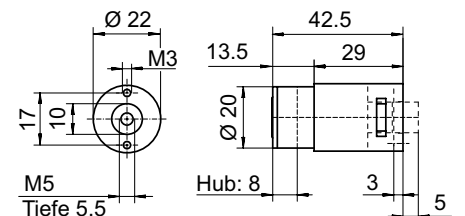
- Cylinder housing brass, satin nickel-plated
- Internal thread M5 for standard screws

Delivery contents

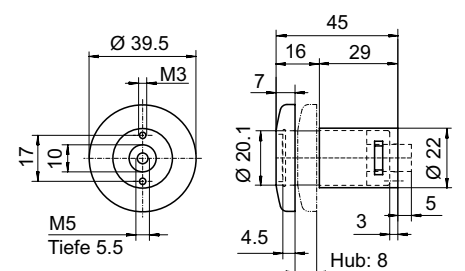
- 1 Push Lock cylinder



1063



1063A



Switch cylinder locks

1063BA Switch cylinder lock

For emergency stop switches.

Material/Design

- Cylinder housing brass, satin nickel-plated

Delivery contents

- 1 switch cylinder

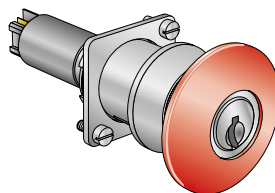
Technical information

Switching capacity 5A 250V AC

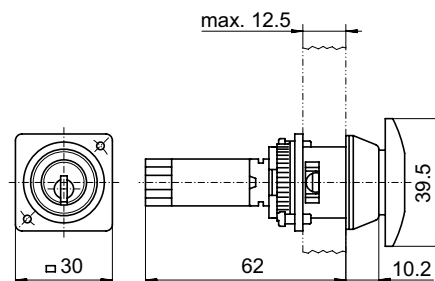
Order code

ProductNo.

1063BA



1063BA



Switch cylinder locks

1065C Switch cylinder lock

For use e.g. with switches.

Material/Design

- Cylinder housing brass, satin nickel-plated
- Other parts galvanized steel

Delivery contents

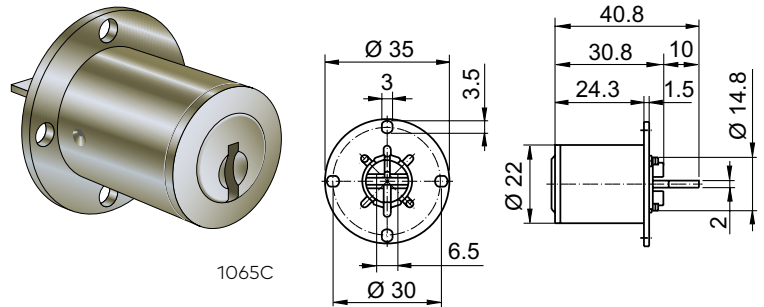
- 1 switch cylinder
- 1 mounting plate BS-5
- 1 tailpiece 1007-44

Length A	Key withdrawal
1007F	1 x 360°

Order code

ProductNo.

1063BA



1065C



1 x 360°

Switch cylinder locks

1065CZ Switch cylinder lock

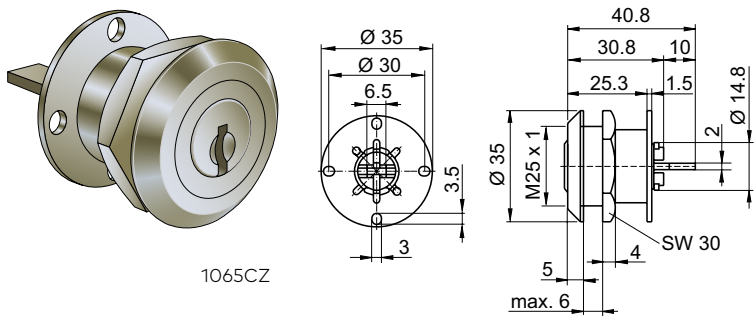
With central fixing. The conical front nut enables easy mounting.

Material/Design

- Cylinder housing brass, satin nickel-plated
- Other parts galvanized steel

Delivery contents

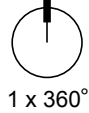
- 1 switch cylinder
- 1 tailpiece 1007-44



1065CZ

Product No.	Key withdrawal
1065C	1 x 360°

Order code
ProductNo.
 1065CZ



1068A, 1068B, 1068C, 1068D Switch cylinder lock

For Saia Burgess switches.
 Supplied without contact element.

Material/Design

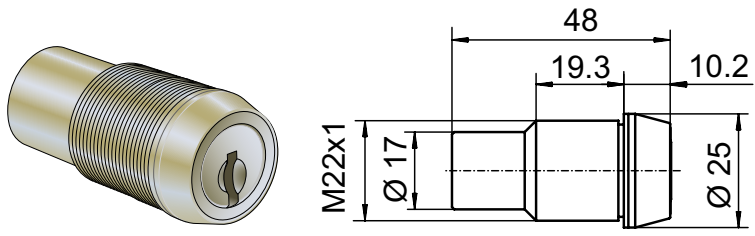
- Cylinder housing brass, satin nickel-plated

Delivery contents

- 1 switch cylinder

Order information/Accessories

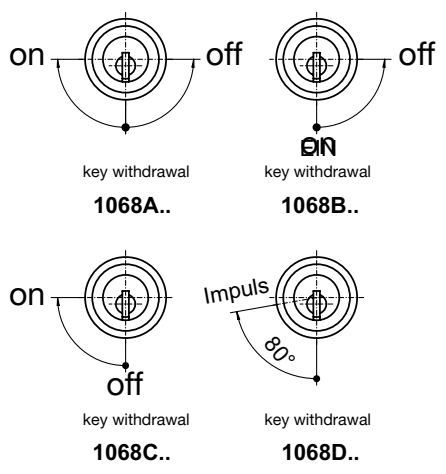
- For version with contact element see 1068AA to 1068DC



1068...

Product No.	Function	th contact
1068A	Withdrawal position middle	444 014
1068B	2 on	444 012
1068C	1 off	444 013
1065D	1 off (impulse)	444 011

Order code
ProductNo.
 e.g. 1068A



Switch cylinder locks

1117A, 1117B, 1117C Key switches

With fixing nut. Anti-rotation protection with flat area on cylinder.

Material/Design

- 1117A Key removable in on/off position, rotation 360° to right or left
- 1117B Impulse switch, key only removable in 0 position, rotation approx. 60° to right, with spring return (impulse)
- 1117C Key only removable in 0 position, rotation approx. 60° to right

Material/Design

- Cylinder housing brass, satin nickel-plated

Delivery contents

- 1 switch cylinder
- 1 hex nut 1117A-6

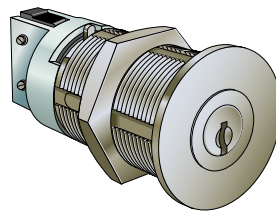
Technical information

Microswitch 24V/3A AC

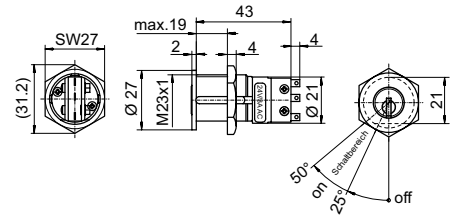
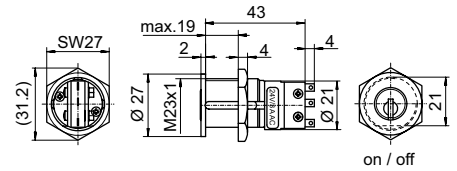
Order code

ProductNo.

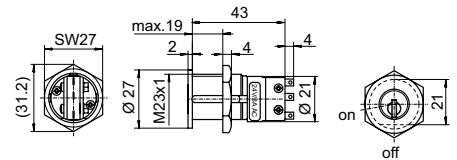
e.g. 1117A



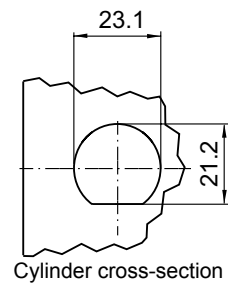
1117A



1117B



1117C



Cylinder cross-section

1262A, 1262B, 1262C, 1262D Switch cylinder lock

For various makes of cam switches.

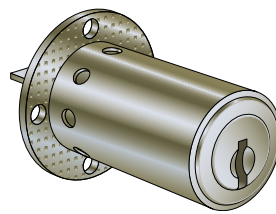
Material/Design

- Cylinder housing brass, satin nickel-plated
- Tailpiece nickel silver

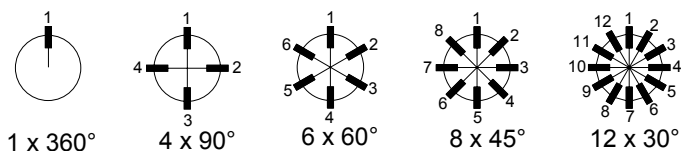
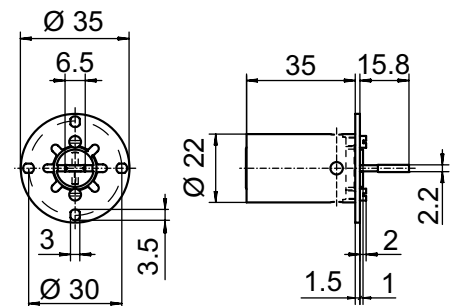
Delivery contents

- 1 switch cylinder
- 1 mounting plate BS-29
- 1 tailpiece 1262-13/20
- 2 fixing screws 1153-10

Product No.	Key withdrawal
1262A	4 x 90°
1262B	6 x 60°
1262C	8 x 45°
1262D	12 x 30°
1262T	1 x 360°



1262...



Order code

ProductNo.

e.g. 1262A

Escutcheons

1007-11/COL, 1007-11 Escutcheon, round

Escutcheon to fit cylinder lock 1007.
For doors of thicknesses from 30 mm.

Variants

1007-11/COL Escutcheon with various finishes
1007-11 Escutcheon brass satin nickel-plated

Material/Design

- Brass satin nickel-plated

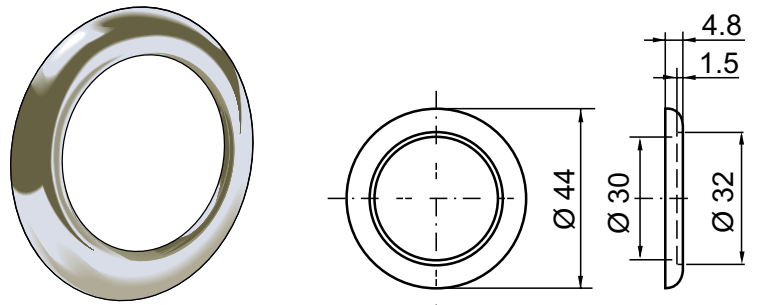
Order options

- **Finish**
 - Polished nickel-plated
 - Satin chrome-plated
 - Polished chrome-plated
 - Satin brass
 - Polished brass
 - Burnished
 - Blackened
 - Antique metal
 - Copper-plated
 - Gold-plated

Order code

Product No./Finish

e.g. 1007-11/COL/Burnished



1007-11/...

1007-35/COL, 1007-35 Escutcheon, round

Escutcheon to fit cylinder lock 1007.
For doors of thickness 24 – 30 mm.

Variants

1007-35/COL Escutcheon with various finishes
1007-35 Escutcheon brass satin nickel-plated

Material/Design

- Brass satin nickel-plated

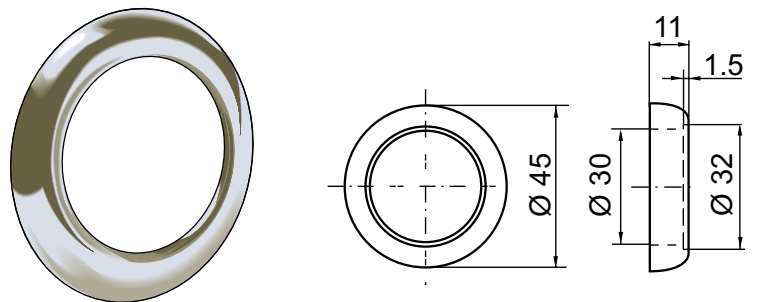
Order options

- **Finish**
 - Polished nickel-plated
 - Satin chrome-plated
 - Polished chrome-plated
 - Satin brass
 - Polished brass
 - Burnished
 - Blackened
 - Antique metal
 - Copper-plated

Order code

Product No./Finish

e.g. 1007-35/COL/Burnished



1007-35/...

Escutcheons

1007-11/COL, 1007-11 Escutcheon, round

Escutcheon to fit cylinder lock 1007
For doors of thicknesses from 30 mm.

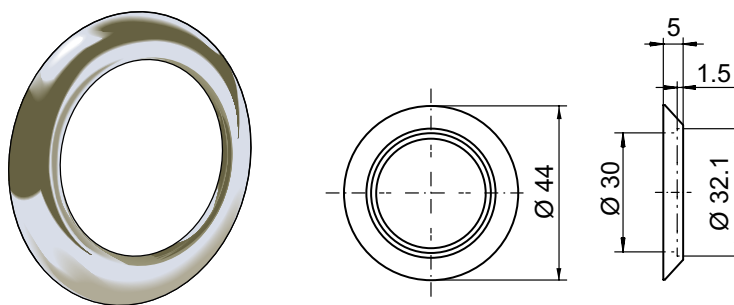
Material/Design

- Brass satin nickel-plated

Order code

Product No.

1007B-3



1007B-3

1007-29/COL, 1007-29 Escutcheon with sliding cover

Escutcheon to cover lock.
To fit cylinder lock 1007.

Variants

1007-29/COL Escutcheon with various finishes

1007-29 Escutcheon brass satin nickel-plated

Material/Design

- Brass satin nickel-plated

Order options

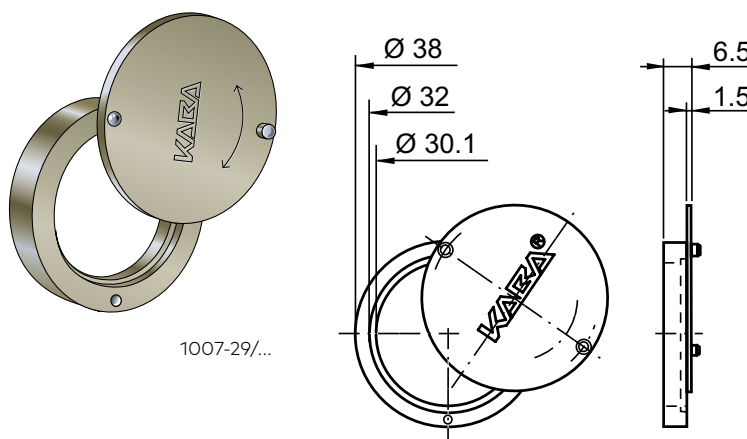
• Finish

- Polished nickel-plated
- Satin chrome-plated
- Polished chrome-plated
- Satin brass
- Polished brass
- Burnished
- Blackened
- Antique metal
- Copper-plated

Order code

Product No./Finish

e.g. 1007-29/COL/Burnished



1007-29/...

1061-14 Escutcheon with sliding cover

Escutcheon to cover lock.
To fit cylinder lock 1031 and 1061.

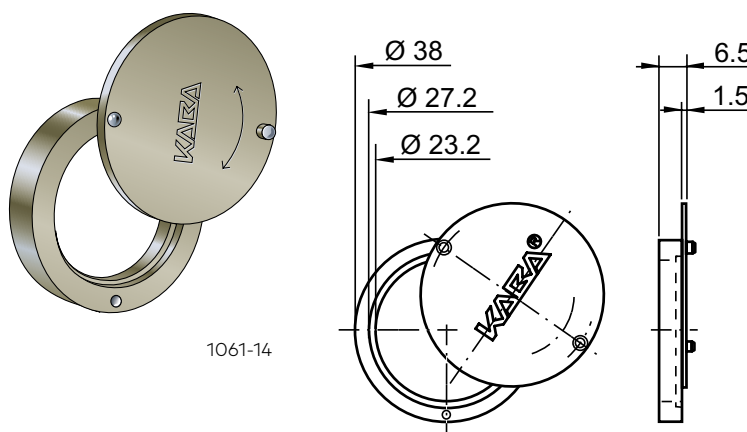
Material/Design

- Brass satin nickel-plated

Order code

Product No.

1061-14



1061-14

Escutcheons

1008A-10 Escutcheon, round

For furniture cylinder locks \varnothing 22 mm.

Material/Design

- Brass satin nickel-plated

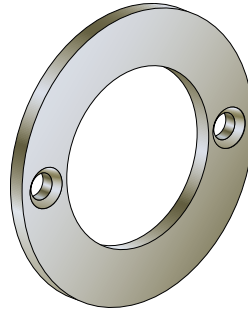
Delivery contents

- 2 fixing screws 2.2 x 9.5, 1008A-11

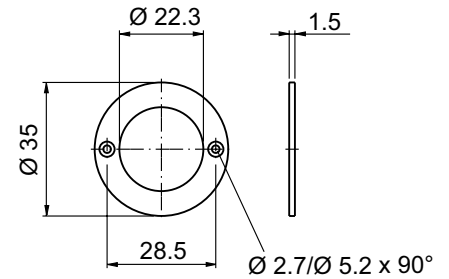
Order code

Product No.

1008A-10



1008A-10



1008A-25/COL, 1008A-25 Escutcheon, round

For furniture cylinder locks \varnothing 22 mm.

Variants

- | | |
|--------------|--------------------------------------|
| 1008A-25/COL | Escutcheon with various finishes |
| 1008A-25 | Escutcheon brass satin nickel-plated |

Material/Design

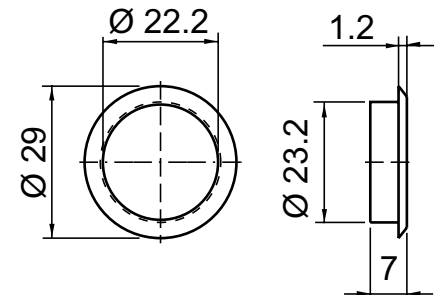
- Brass satin nickel-plated

Order options

- **Finish**
 - Polished nickel-plated
 - Satin chrome-plated
 - Polished chrome-plated
 - Satin brass
 - Polished brass
 - Burnished
 - Blackened
 - Antique metal
 - Copper-plated
 - Gold-plated
 - Sandblasted nickel-plated



1008A-25/...



Order code

Product No./Finish

e.g. 1008A-25/COL/Burnished

Escutcheons

1037-19/COL, 1037-19 Escutcheon, round

For pressure cylinder locks \varnothing 25 mm.

Variants

- 1037-19/COL Escutcheon with various finishes
- 1037-19 Escutcheon brass satin nickel-plated

Material/Design

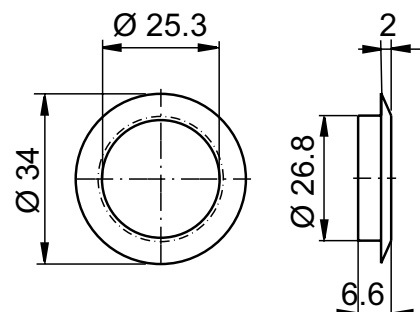
- Brass satin nickel-plated

Order options

- **Finish**
 - Polished nickel-plated
 - Satin chrome-plated
 - Polished chrome-plated
 - Satin brass
 - Polished brass
 - Burnished
 - Blackened
 - Antique metal
 - Copper-plated
 - Gold-plated



1037-19/...



Order code

Product No./Finish

e.g. 1037-19/COL/Burnished

1058-5 Escutcheon, round

For furniture locks \varnothing 20 mm.

Material/Design

- Brass satin nickel-plated

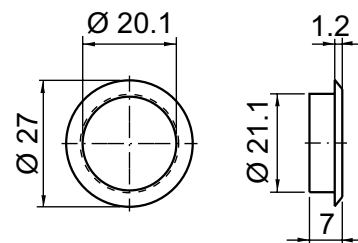
Order code

Product No.

1058-5



1058-5



Escutcheons

1031-17, 1031-18, 1031-19, 1031-21 ... Spacer sleeve

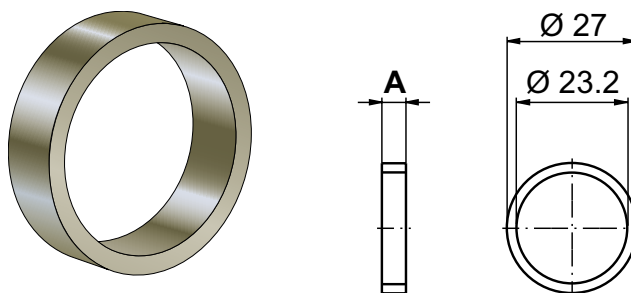
For cylinder locks 1031, 1061 and 1117.

Variants

- 1037-19/COL Escutcheon with various finishes
- 1037-19 Escutcheon brass satin nickel-plated

Material/Design

Product No.	Dimension A
1031-17	5.0
1031-18	10.0
1031-19	14.0
1031-21	2.5
1031-25	12.0
1031-26	15.5



1031-17...26

Order code

Product No.

e.g. 1031-17

1031-20 Retainer plate

For cylinder locks 1031, 1061 and 1117.

Anti-rotation protection for mounting cylinder locks on wood or plastic doors.

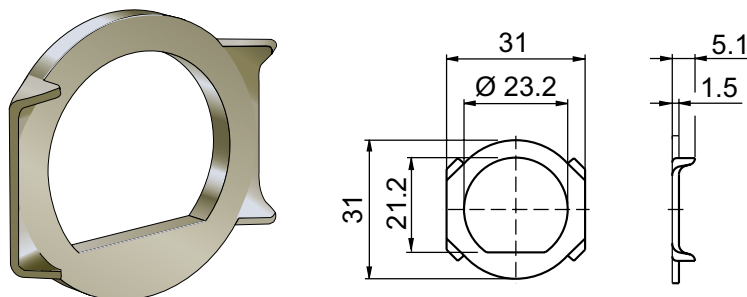
Material/Design

- Galvanized steel

Order code

Product No.

1031-20



031-20

1031-20 Retainer plate

For cylinder locks 1031, 1061 and 1117.

To be welded on.

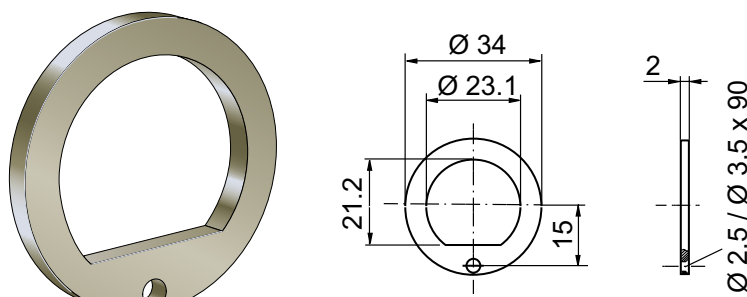
Material/Design

- Bright steel

Order code

Product No.

1031-23



1031-23

Escutcheons

1031-23A, 1031-23B, 1031-24A Retainer plate

For cylinder locks 1031, 1061 and 1117.

Variants

- 1031-23A Anti-rotation protection for sheet metal doors, for welding on
- 1031-23B Anti-rotation protection for glass
- 1031-24A With plug for boring

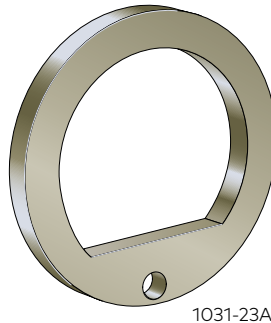
Material/Design

- Galvanized steel

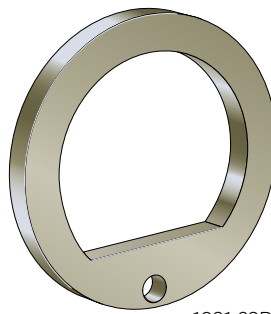
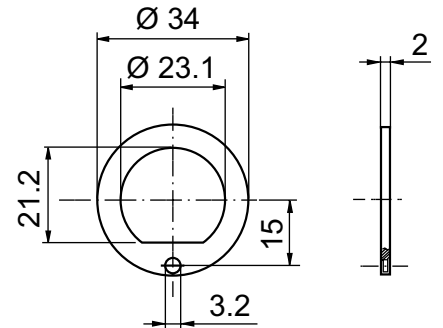
Order code

Product No.

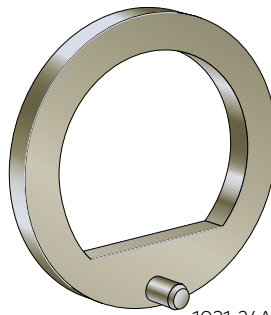
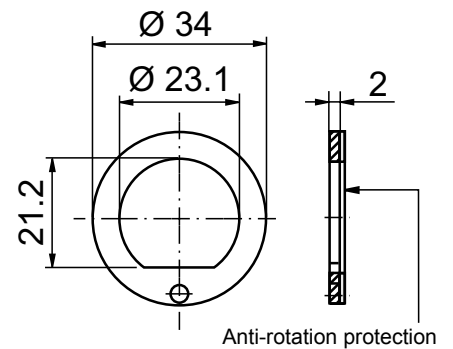
e.g. 1031-23A



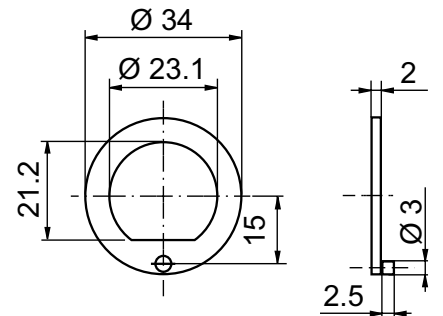
1031-23A



1031-23B



1031-24A



1031-29 Escutcheon, round

For cylinder locks 1031, 1061 and 1117.

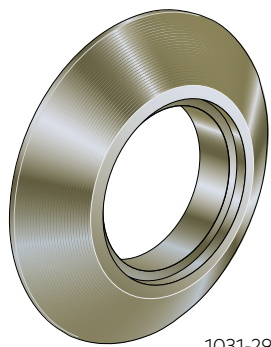
Material/Design

- Brass satin nickel-plated

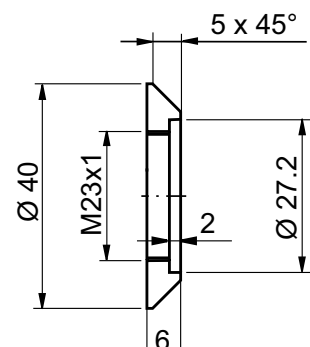
Order code

Product No.

1031-29



1031-29



Escutcheons

1514-11/COL, 1514-11 Escutcheon, oval

For CH cylinder locks.
With mounting hole.

Variants

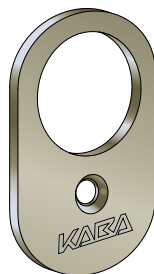
- 1514-11/COL Escutcheon with various finishes
- 1514-11 Escutcheon brass satin nickel-plated, surface-polished

Material/Design

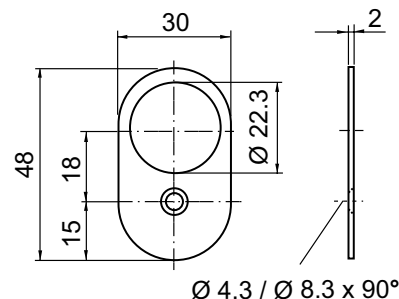
- Brass satin nickel-plated, surface-polished

Delivery contents

- 1 fixing screw 1003-34, M4 x 25 mm



1514-11/...



Ø 4.3 / Ø 8.3 x 90°

Order options

- **Finish**
 - Polished nickel-plated
 - Satin chrome-plated
 - Polished chrome-plated
 - Satin brass
 - Polished brass
 - Burnished
 - Blackened
 - Antique metal
 - Copper-plated
 - Gold-plated

Order code

Product No./Finish

e.g. 1514-11/COL/Burnished

1514-11A/COL, 1514-11A Escutcheon, oval

Blank escutcheon.
With mounting hole.

Variants

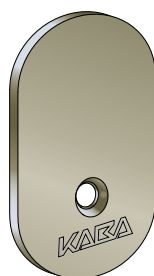
- 1514-11/COL Escutcheon with various finishes
- 1514-11 Escutcheon brass satin nickel-plated, surface-polished

Material/Design

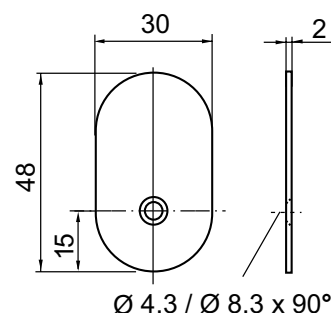
- Brass satin nickel-plated, surface-polished

Delivery contents

- 1 fixing screw 1003-34, M4 x 25 mm



1514-11A/...



Ø 4.3 / Ø 8.3 x 90°

Order options

- **Finish**
 - Polished nickel-plated
 - Satin chrome-plated
 - Polished chrome-plated
 - Satin brass
 - Polished brass
 - Burnished
 - Blackened
 - Antique metal
 - Copper-plated
 - Gold-plated

Order code

Product No./Finish

e.g. 1514-11A/COL/Burnished

Escutcheons

1514-11F Escutcheon, oval

For CH cylinder locks.
With mounting hole.

Material/Design

- Natural anodized aluminium

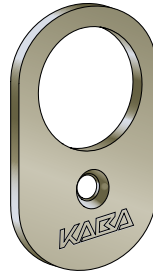
Delivery contents

- 1 fixing screw 1003-34, M4 x 25 mm

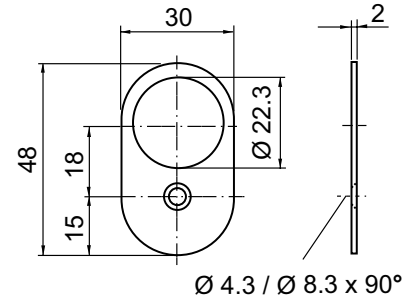
Order code

Product No.

1514-11F



1514-11F



1514-20 Escutcheon with sliding cover

For CH cylinder locks.
With lateral mounting screw.

Material/Design

- Brass satin nickel-plated

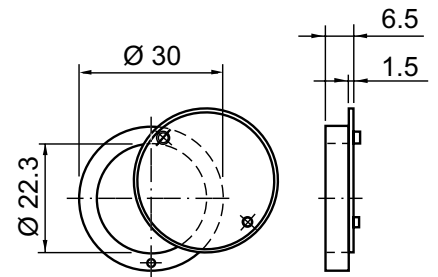
Order code

Product No.

1514-20



1514-20



Escutcheons

1514-23/COL, 1514-23 Escutcheon, round

For CH cylinder locks.
With two mounting holes.

Variants

- 1514-23/COL Escutcheon with various finishes
- 1514-23 Escutcheon brass satin nickel-plated, surface-polished

Material/Design

- Brass satin nickel-plated, surface-polished

Delivery contents

- 2 wood screws 1003-38, 4 x 16 mm

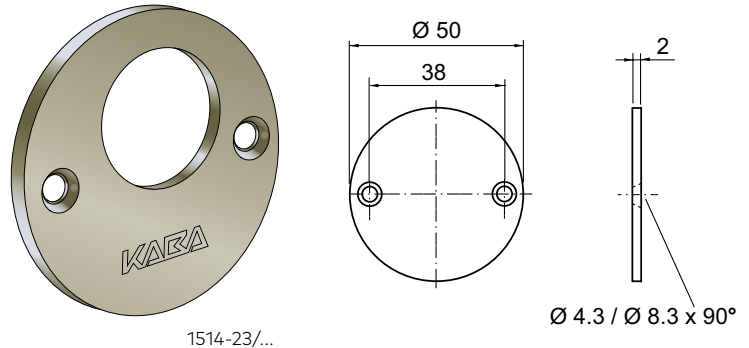
Order options

- Finish**
 - Polished nickel-plated
 - Satin chrome-plated
 - Polished chrome-plated
 - Satin brass
 - Polished brass
 - Burnished
 - Blackened
 - Antique metal
 - Copper-plated
 - Gold-plated

Order code

Product No./Finish

e.g. 1514-23/COL/Burnished



1514-23/...

1514-23/COL, 1514-23 Escutcheon, round

Blind escutcheon.
With two mounting holes.

Variants

- 1514-23A/COL Escutcheon with various finishes
- 1514-23A Escutcheon brass satin nickel-plated, surface-polished

Material/Design

- Brass satin nickel-plated, surface-polished

Delivery contents

- 2 wood screws 1003-38, 4 x 16 mm

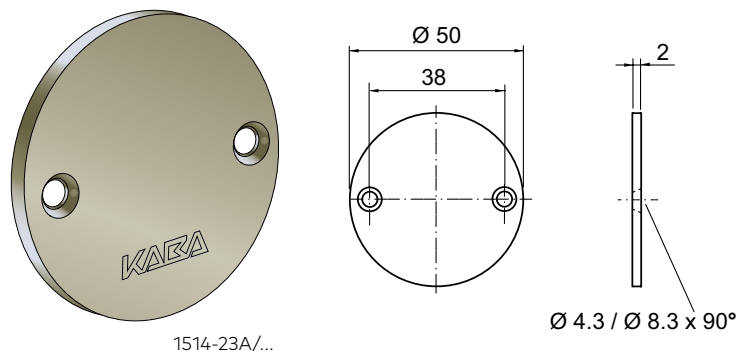
Order options

- Finish**
 - Polished nickel-plated
 - Satin chrome-plated
 - Polished chrome-plated
 - Satin brass
 - Polished brass
 - Burnished
 - Blackened
 - Antique metal
 - Copper-plated
 - Gold-plated

Order code

Product No./Finish

e.g. 1514-23A/COL/Burnished



1514-23A/...

Escutcheons

1514-23B Escutcheon, round

For CH cylinder locks.
With two mounting holes.

Material/Design

- Stainless

Delivery contents

- 2 wood screws 1003-38, 4 x 16 mm

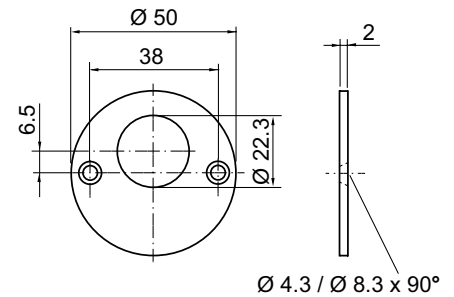
Order code

Product No./Finish

1514-23B



1514-23B



1514-24/COL, 1514-24 Escutcheon, round

Escutcheon for CH cylinder locks.
With one mounting hole.

Variants

- 1514-24/COL Escutcheon with various finishes
- 1514-24 Escutcheon brass satin nickel-plated, surface-polished

Material/Design

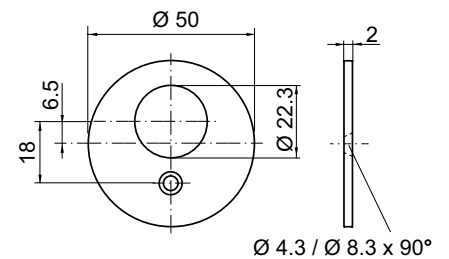
- Brass satin nickel-plated, surface-polished

Delivery contents

- 1 fixing screw 1003-34, M4 x 25 mm



1514-24/...



Order options

- **Finish**
 - Polished nickel-plated
 - Satin chrome-plated
 - Polished chrome-plated
 - Satin brass
 - Polished brass
 - Burnished
 - Blackened
 - Antique metal
 - Copper-plated
 - Gold-plated

Order code

Product No./Finish

e.g. 1514-24/COL/Burnished

Furniture locks

Furniture locks

Important Order Information

To enable furniture lock orders to be processed without queries, the order information below must be given in the following order:

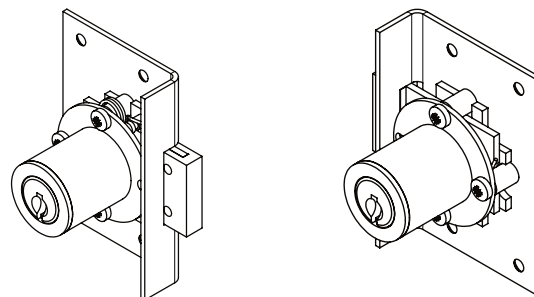
- Lock type
- Function L/R/S/SU: left, right, drawer, drawer below
- Backset length (where available in different lengths)
- Cylinder lock length

Ordering Example:

1012/R/25/25 – means: Lock Product No. 1012, function right, backset dimension 25, cylinder lock length 25.

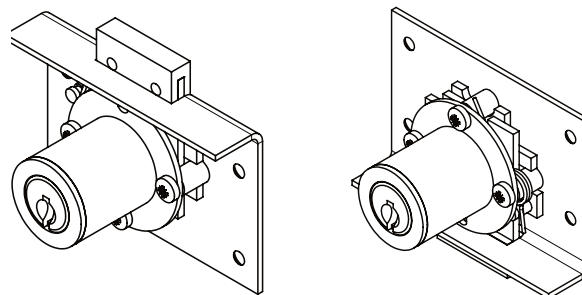
DIN Door hinging

For doors hinged to the right, a right-hand furniture lock is needed, for doors hinged left, a left-hand lock (see diagrams).



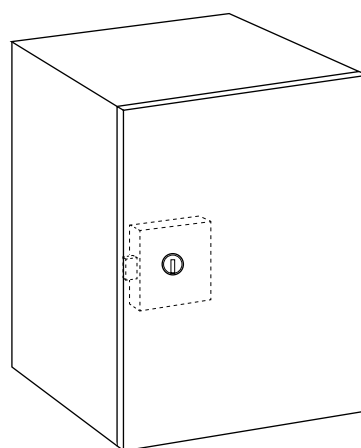
left

right



up

down



Door DIN right = lock right

Furniture Locks

1012 Deadbolt lock

Cannot be converted retrospectively. Must be ordered with correct function (Illus. for doors DIN right).

Material/Design

- Cylinder housing brass, satin nickel-plated
- Lock case nickel-plated steel

Delivery contents

- 1 mounting cylinder 1008C
- 1 actuator M1
- 1 escutcheon 1008A-25
- 1 strike plate, rectangular 1012-15
- 1 mounting kit 1012

Order information/Accessories

- See also general notes on furniture locks
- Mounting kit 1012 comprises:
 - 2 countersunk screws 2.6 x 10 mm
 - 4 countersunk screws 3 x 16 mm

Order options

- **Special**
 - Key not removable when open
- **Finish for lock case and strike plate**
 - Brass-plated
 - Chrome-plated
 - Polished brass-plated
 - Polished chrome-plated
- **Strike plates**
 - 1012-17
 - 1012-15A
- **Function**
 - R = right
 - L = left
 - S = drawer
 - SU = drawer below

Cylinder standard lengths

Backset dimensions

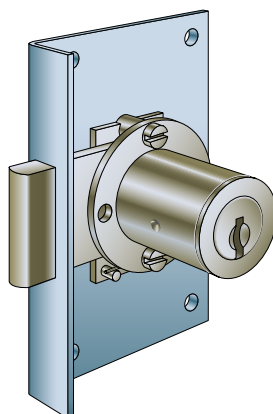
Length A	D (mm)
25	20
30	25
35	30
40	35
45	40
50	45
55	50
65	
75	

Further cylinder lengths on request

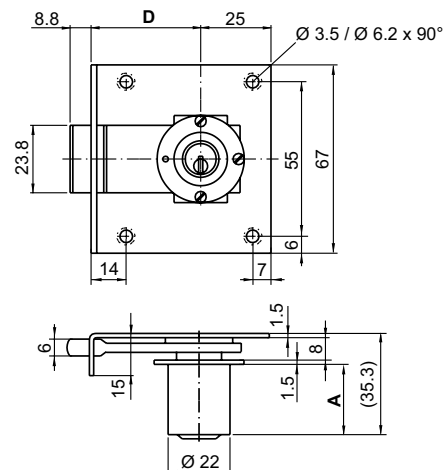
Order code

Product No./Function/Backset/LengthA

e.g. 1012/R/20/25



1012



Furniture Locks

1074 Deadbolt lock

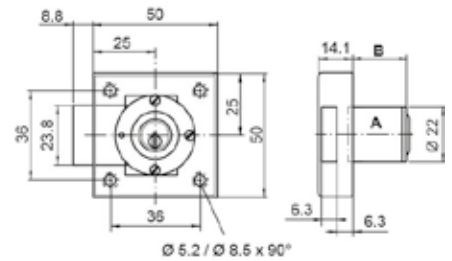
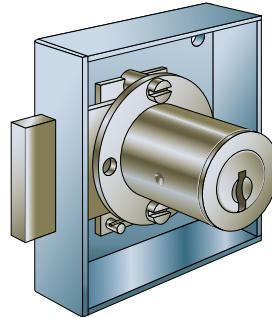
Convertible for doors left or right and for drawers. (Illus. for doors DIN right).

Material/Design

- Cylinder housing brass, satin nickel-plated
- Lock case nickel-plated steel

Delivery contents

- 1 mounting cylinder 1008C
- 1 actuator M1
- 1 escutcheon 1008A-25
- 1 strike plate, rectangular 1012-15A
- 1 mounting kit 1074/1075



1074

Order information/Accessories

- See also general notes on furniture locks
- Mounting kit 1074/1075 comprises:
 - 2 countersunk screws 2.6 x 10 mm
 - 4 LS wood screws 4 x 30 mm

Order options

- **Special**
 - Key not removable when open
- **Strike plates**
 - 1012-15
 - 1012-17
- **Deadbolt extensions**
 - Deadbolt extended 5 mm
 - Deadbolt extended 10 mm
 - Deadbolt extended 20 mm
 - Deadbolt extended 25 mm
 - Deadbolt extended 50 mm
- **Function**
 - R = right
 - L = left
 - S = drawer
 - SU = drawer below

Cylinder standard lengths

Length A	Working length B
25	21.25
30	26.95
35	31.95
40	36.95
45	41.95
50	46.95
55	51.95
65	61.95
75	71.95

Further cylinder lengths on request

Order code

Product No./Function/LengthA

e.g. 1074/R/25

Furniture Locks

1075, 1075B Latch lock

Convertible for doors left or right and for drawers.
(Illus. for doors DIN right).

Variants

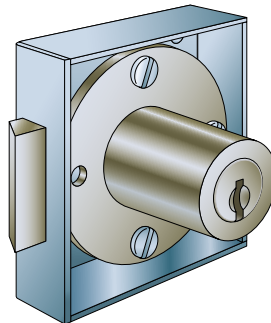
- 1075 nickel-plated
- 1075B stainless

Material/Design

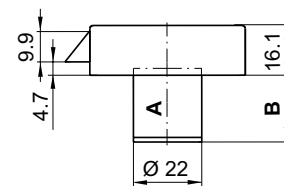
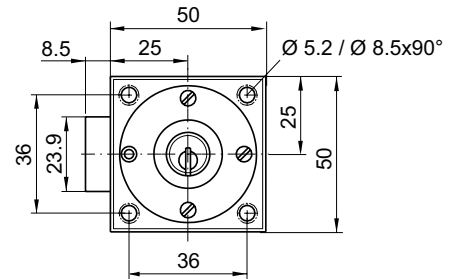
- Cylinder housing brass, satin nickel-plated
- Lock case nickel-plated steel

Delivery contents

- 1 mounting cylinder 1008C
- 1 actuator M1
- 1 escutcheon 1008A-25
- 1 strike plate 1075-6
- 1 mounting kit 1074/1075



1075...



Order information/Accessories

- See also general notes on furniture locks
- Mounting kit 1074/1075 comprises:
 - 2 countersunk screws 2.6 x 10 mm
 - 4 LS wood screws 4 x 30 mm

Order options

- **Function**
 - R = right
 - L = left
 - S = drawer
 - SU = drawer below

Cylinder standard lengths

Length A	Dimension B
25	21.7
30	27.4
35	32.4
40	37.4
45	42.4
50	47.4
55	52.4
65	62.4
75	72.4

Further cylinder lengths on request

Order code

Product No./Function/LengthA

e.g. 1075/L/25

Furniture Locks

1077 Latch lock

Convertible for doors left or right and for drawers. (Illus. for doors DIN right).

Material/Design

- Cylinder housing brass, satin nickel-plated
- Backplate and faceplate nickel-plated steel

Delivery contents

- 1 mounting cylinder 1008C
- 1 actuator M2
- 1 escutcheon 1008A-25
- 1 strike plate 1075-6
- 1 mounting kit 1012

Order information/Accessories

- See also general notes on furniture locks
- Mounting kit 1012 comprises:
 - 2 countersunk screws 2.6 x 10 mm
 - 4 countersunk screws 3 x 16 mm

Order options

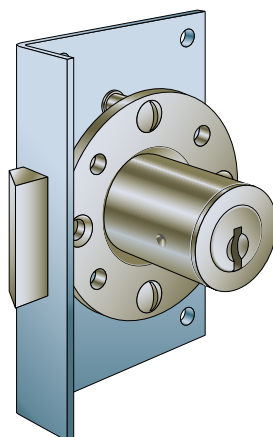
- **Function**
 - R = right
 - L = left
 - S = drawer
 - SU = drawer below

Cylinder standard lengths

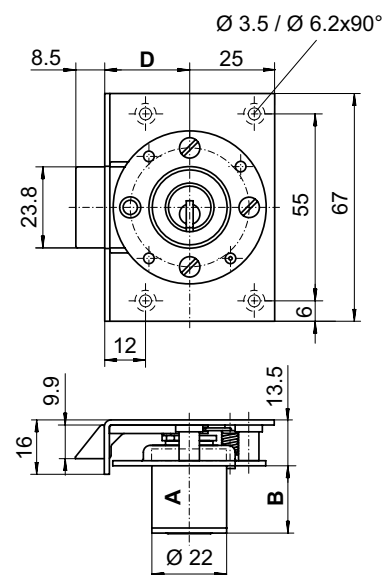
Length A	Dimension B
25	19.8
30	25.5
35	30.5
40	35.5
45	40.5
50	45.5
55	50.5
65	60.5
75	70.5

Backset dimensions

D (mm)
25
40



1077



Further cylinder lengths on request

Order code

Product No./Function/Backset/LengthA

e.g. 1077/R/25/35

Furniture Locks

2006 Bolt lock

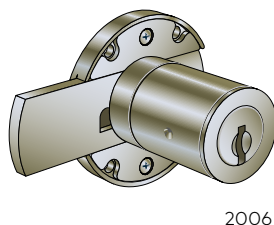
Screw-mounted or rebated.
 Convertible for doors left or right and for drawers.
 (Illus. for doors DIN right).

Material/Design

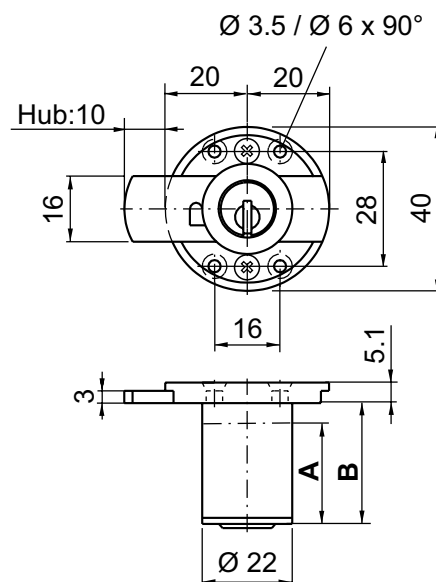
- Cylinder housing brass, satin nickel-plated
- Bolt nickel-plated steel

Delivery contents

- 1 mounting cylinder 1008C
- 1 actuator M93
- 2 fixing screws 1040-4, M2.3 x 6 mm
- 1 cover 2006-2
- 1 lock plate 2006-1
- 3 fixing screws 1040-5, M2.3 x 8 mm
- 2 screws M2.5 x 4 mm



2006



Order information/Accessories

- See also general notes on furniture locks
- Spacer washer 2006-4 (2 mm thick)
- Special backset dimensions see Product 2006A

Order options

- **Function**
 - Key not removable when open
- **Function**
 - R = right
 - L = left
 - S = drawer
 - SU = drawer below

Cylinder standard lengths

Length A	Dimension B
25	29.5
30	35.2
35	40.2
40	45.2
45	50.2
50	55.2
55	60.2
65	70.2
75	80.2

Further cylinder lengths on request

Order code

Product No./Function/LengthA

e.g. 2006/R/25

Furniture Locks

2006A Bolt lock

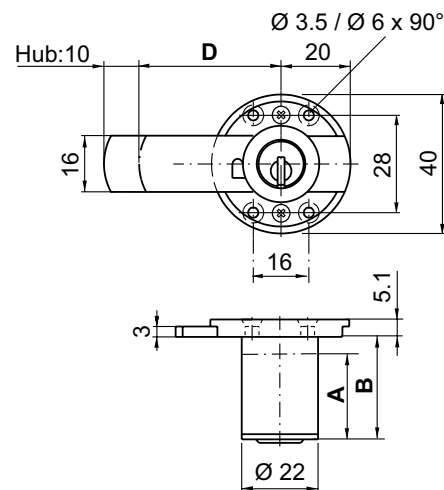
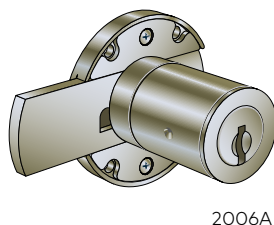
Screw-mounted or rebated.
 Convertible for doors left or right and for drawers.
 (Illus. for doors DIN right).

Material/Design

- Cylinder housing brass, satin nickel-plated
- Bolt nickel-plated steel
- Plate zinc die-cast satin nickel-plated

Delivery contents

- 1 mounting cylinder 1008C
- 1 actuator M93
- 2 fixing screws 1040-4, M2.3 x 6 mm
- 1 cover 2006-2
- 1 lock plate 2006-1
- 3 fixing screws 1040-5, M2.3 x 8 mm
- 2 screws M2.5 x 4 mm



Order information/Accessories

- See also general notes on furniture locks
- Spacer washer 2006-4 (2 mm thick)

Order options

- **Function**
 - Key not removable when open
- **Function**
 - R = right
 - L = left
 - S = drawer
 - SU = drawer below

Cylinder standard lengths

Backset dimensions

Length A	Dimension B	D (mm)
25	29.5	30
30	35.2	40
35	40.2	50
40	45.2	60
45	50.2	80
50	55.2	100
55	60.2	
65	70.2	
75	80.2	

Further cylinder lengths on request

Order code

Product No./Function/Backset/LengthA

e.g. 2006/R/25

Furniture Locks

2074 Bar lock

For metal cabinets.
Available for doors left or right and for drawers.
(Illus. for doors DIN right).

Material/Design

- Cylinder housing brass, satin nickel-plated
- Lock case and bars nickel-plated steel
- Locking path 14 mm

Delivery contents

- 1 mounting cylinder 1008C
- 1 actuator M11B

Order information/Accessories

- See also general notes on furniture locks

Order options

- **Special**
 - Key not removable when open
- **Function**
 - R = right
 - L = left
 - S = drawer
 - SU = drawer below

Cylinder standard lengths

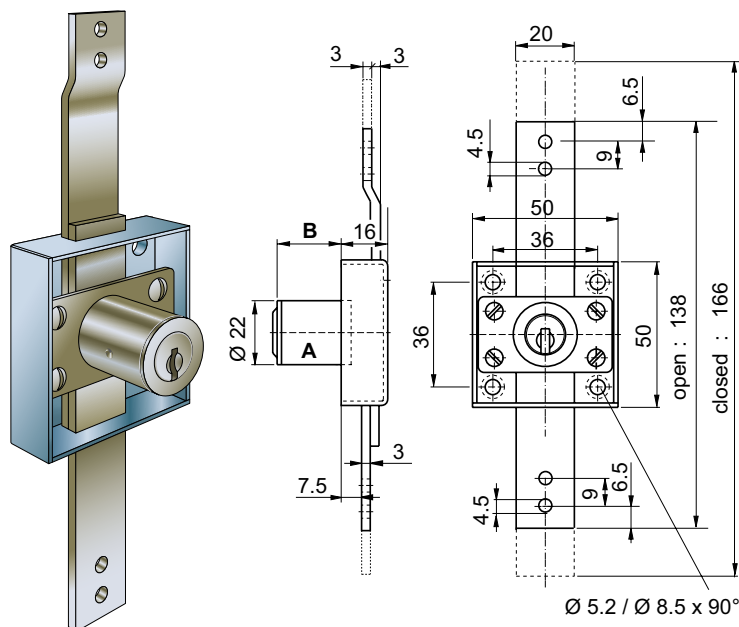
Length A	Dimension B
25	22.1
30	27.8
35	32.8
40	37.8
45	42.8
50	47.8
55	52.8
65	62.8
75	72.8

Further cylinder lengths on request

Order code

Product No./Function/LengthA

e.g. 2074/R/25



2074

Furniture Locks

2422 Bolt lock

Convertible for doors left or right and for drawers. (Illus. for doors DIN right).

Material/Design

- Cylinder housing brass, satin nickel-plated
- Lock case and cover nickel-plated steel

Delivery contents

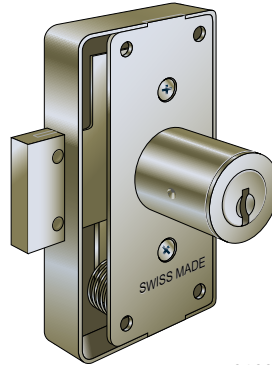
- 1 mounting cylinder 1008C
- 1 actuator M44
- 1 escutcheon 1008A-25
- 1 fixing screw kit 2422

Order information/Accessories

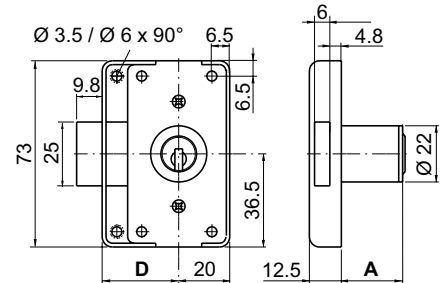
- See also general notes on furniture locks
- Strike plate 1012-17 must be ordered separately

Order options

- **Special**
 - Key not removable when open
- **Function**
 - R = right
 - L = left
 - S = drawer
 - SU = drawer below



2422



Cylinder standard lengths

Length A
25
30
35
40
45
50
55
65
75

Backset dimensions

D (mm)
30
35
40
45
50
55
60

Further cylinder lengths on request

Order code

Product No./Function/Backset/LengthA
e.g. 2422/R/30/25

Accessories for Furniture Locks

1012-15, 1012-15A Strike plate

For furniture locks 1012, 1074 and 2422.

Variants

- 1012-15 Length 67 mm
- 1012-15A Length 74 mm

Material/Design

- Nickel-plated brass

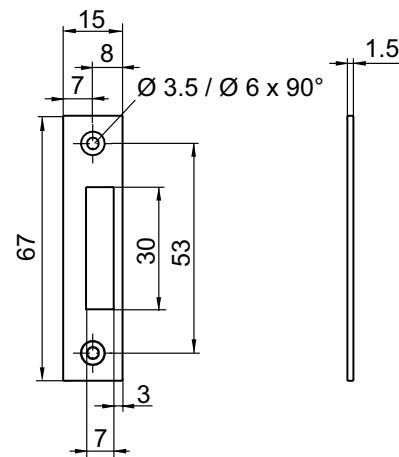
Order code

Product No

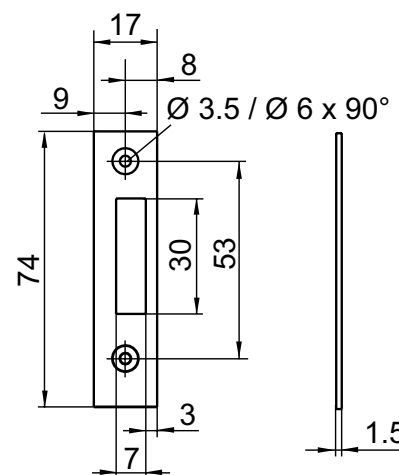
e.g. 1012-15



1012-15



1012-15A



1012-17 Strike plate

For furniture locks 1012, 1074 and 2422.

Material/Design

- Nickel-plated brass

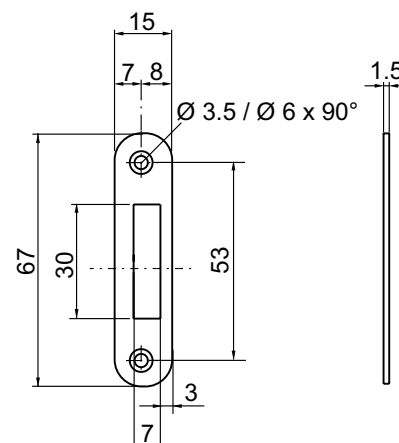
Order code

Product No

1012-17



1012-17



Accessories for Furniture Locks

1075-6 Strike plate

For furniture locks 1075, 1075B and 1077.

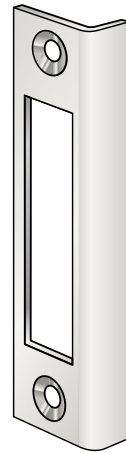
Material/Design

- Nickel-plated brass

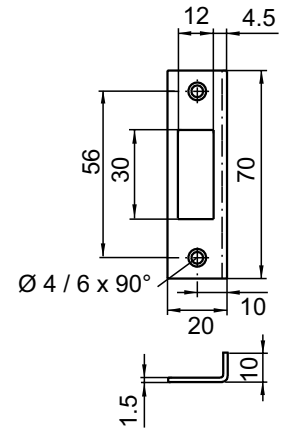
Order code

Product No

1075-6



1075-6



2006-4 Spacer washer

For furniture locks 2006.

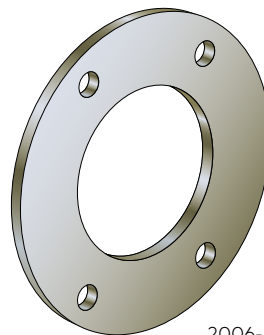
Material/Design

- Nickel-plated brass

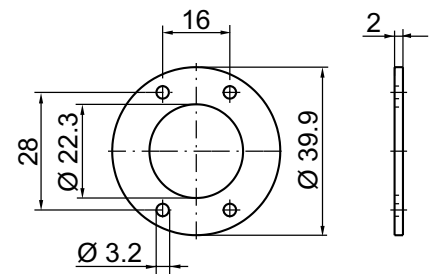
Order code

Product No.

2006-4



2006-4



Window Security

3463, 3463A Cylinder Lock Rotary Handle

For tilt & turn windows, cupboard locks etc.
Hinged DIN right or left.
Key removable when open and locked.

Variants

- 3463 with long handle
- 3463A with short handle

Material/Design

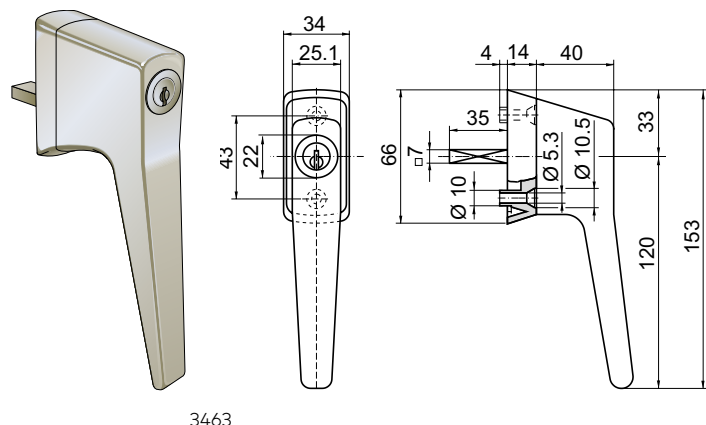
- Handle zinc die-cast sandblasted nickel-plated
- Cylinder housing brass, satin nickel-plated
- Actuator brass, satin nickel-plated

Delivery contents

- 1 mounting cylinder 1008C/25
- 1 actuator M71

Technical information

The two fixing screws are concealed by the handle.
The handle can be locked in both vertical positions.



3463

Order information/Accessories

- No colouring possible

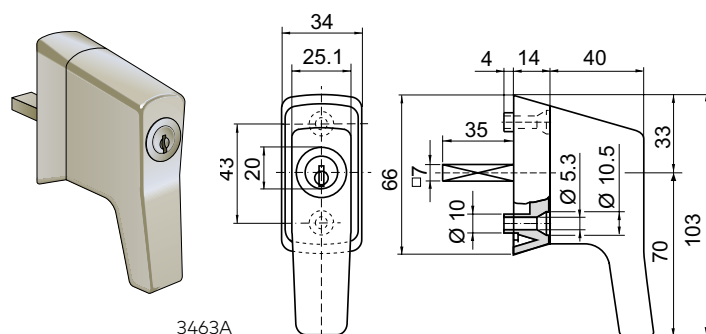
Order options

- **Special**
 - Tilt First model
 - Self-locking model
- **Hinging**
 - R: right
 - L: left

Order code

Product No./Hinging

e.g. 3463/R



3463A

Complete Key Deposits

1604B Complete Key Deposit

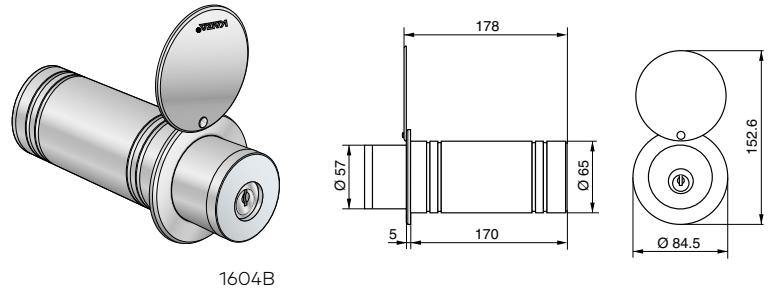
For round cylinder locks M1514/32.5
The Kaba key deposit tube ensures that access to the object key is only possible under controlled conditions.
The locking plug has space to deposit a Kaba key. The Kaba key deposit tube is fitted with a cylinder lock M1514/32.5.

Material/Design

- Key deposit tube chromium nickel steel
- Locking plug chromium nickel steel
- Embedded to depth 170 mm

Delivery contents

- 1 key deposit tube 1640-1
- 1 locking plug 1603-2B



Order information/Accessories

- The cylinder lock must be ordered separately (M1514/32.5)

Order options

- **Special Key/Card holder**
 - Locking plug with plastic holder for 2 Kaba keys and 1 card
- **Locking plug with plastic holder for 2 Kaba keys and 1 card**
 - Locking plug with space (tray) for 1 card or safe key
- **Microswitch alarm with card/key holder**
 - Locking plug with plastic holder for 2 Kaba keys, 1 card and microswitch alarm (1604-30A – potential free, contact load 250V/AC with 0.5 m connection cable)
- **Microswitch alarm with key tray**
 - Locking plug with tray for 1 card or safe key and microswitch alarm (1604-30A – potential free, contact load 250V/AC with 0.5 m connection cable)

Order code

Product No./Hinging

1604B